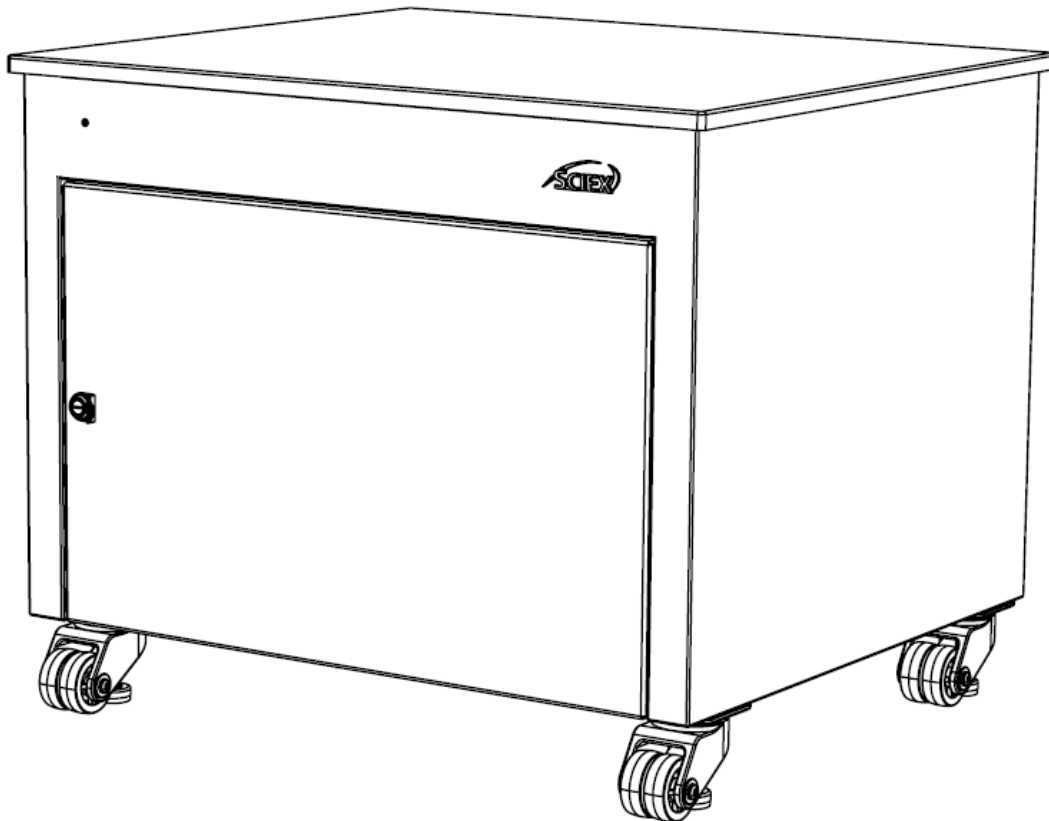




MS ENCLOSURE BENCH 36

OPERATOR GUIDE

SXWOM-303631



This document is provided to customers who have purchased SCIEX equipment to use in the operation of such SCIEX equipment. This document is copyright protected and any reproduction of this document or any part of this document is strictly prohibited, except as SCIEX may authorize in writing.

Software that may be described in this document is furnished under a license agreement. It is against the law to copy, modify, or distribute the software on any medium, except as specifically allowed in the license agreement. Furthermore, the license agreement may prohibit the software from being disassembled, reverse engineered, or decompiled for any purpose. Warranties are as stated therein.

Portions of this document may make reference to other manufacturers and/or their products, which may contain parts whose names are registered as trademarks and/or function as trademarks of their respective owners. Any such use is intended only to designate those manufacturers' products as supplied by SCIEX for incorporation into its equipment and does not imply any right and/or license to use or permit others to use such manufacturers' and/or their product names as trademarks.

SCIEX warranties are limited to those express warranties provided at the time of sale or license of its products and are the sole and exclusive representations, warranties, and obligations of SCIEX. SCIEX makes no other warranty of any kind whatsoever, expressed or implied, including without limitation, warranties of merchantability or fitness for a particular purpose, whether arising from a statute or otherwise in law or from a course of dealing or usage of trade, all of which are expressly disclaimed, and assumes no responsibility or contingent liability, including indirect or consequential damages, for any use by the purchaser or for any adverse circumstances arising therefrom.

For Research Use Only. Not for use in Diagnostic Procedures.

Trademarks and/or registered trademarks mentioned herein, including associated logos, are the property of AB Sciex Pte. Ltd., or their respective owners, in the United States and/or certain other countries (see sciex.com/trademarks).

AB Sciex™ is being used under license.

© 2022 DH Tech. Dev. Pte. Ltd.



AB Sciex Pte. Ltd.

Blk33, #04-06 Marsiling Industrial Estate Road 3

Woodlands Central Industrial Estate, Singapore 739256

Contents

Using the Guide	4
Intended Use of Equipment	5
Warranties and Liabilities	6
Safety Notices	7
Technical Specification.....	8
Component List.....	9
MS Enclosure Bench 36 Overview	10
Unpacking and Bench Installation	12
Fuse Replacement.....	17
Cleaning.....	18
Troubleshooting	19

Using the Guide

The MS Enclosure Bench 36 Operator Guide is to be used by end users for referencing information regarding the MS Enclosure Bench 36. Use the contents page for finding the relevant information.

Read all the information in the applicable sections before performing tasks or making changes on the bench.

Thank you for choosing SCIEX for your product needs. If you require additional assistance, do not hesitate to email us your questions and we will get back to you within 48 business hours.

Website : sciex.com

Email : sciexnow@sciex.com

Intended Use of Equipment

The MS Enclosure Bench 36 is intended to be a mobile bench enclosure designed exclusively for a SCIEX mass spectrometer (MS). A 0.75 inch thick phenolic resin countertop provides support to the MS.

The bench is supported by four heavy-duty leveling casters. The removable hinged door and removeable back panel give complete access to the inside of the enclosure. Locking slide-out tray assists the user in loading and unloading the roughing pumps (roughing pumps not included with this bench).

The internal lining of sound insulation foam dampens the noise of up to two roughing pumps. Two internal cooling fans keep the roughing pumps and the enclosure cool when the pumps are in operation. A green LED indicator on the front panel informs the status of the cooling fans.

Warranties and Liabilities

To learn about the warranty offered on SCIEX products, please visit -
sciex.com/warranty

Safety Notices

The operator guide covers the most likely potential hazards identified during development and testing. If a user diverges from the recommended operating procedure, parts and equipment used in the bench, the user must make sure that there will be no damage to the equipment, persons, or property.

Instructions in the manual must be thoroughly read and understood before handling, operating, or carrying out any maintenance.

Safety symbols



A WARNING notice : Potential injury or death



A CAUTION notice : Potential system damage

Technical Specification

MS Enclosure Bench 36

Dimensions H x W x D - inch (cm) : 30 x 36 x 31 (76.2 x 91.4 x 78.7)

Bench Weight : 80 Kgs

Operating Conditions

Usage Environment : Indoor
Minimum Operating Temperature : 5 °C
Maximum Operating Temperature : 30 °C
Maximum Altitude : 2000 m
Humidity Range : Less than 80%
Environmental Pollution Degree : 2 - only non-conductive pollution occurs except that occasionally a temporary conductivity caused by condensation which is expected.

Maximum Bench Weight Capacity : 275.5 Kgs

Pull-out tray load capacity : 68 Kgs

Electrical DC Input

Voltage : 24 V

Current : 3.75 A

Fans : 2 x Cooling Fans

Noise Level : Noise dampened to 57 dB(A)

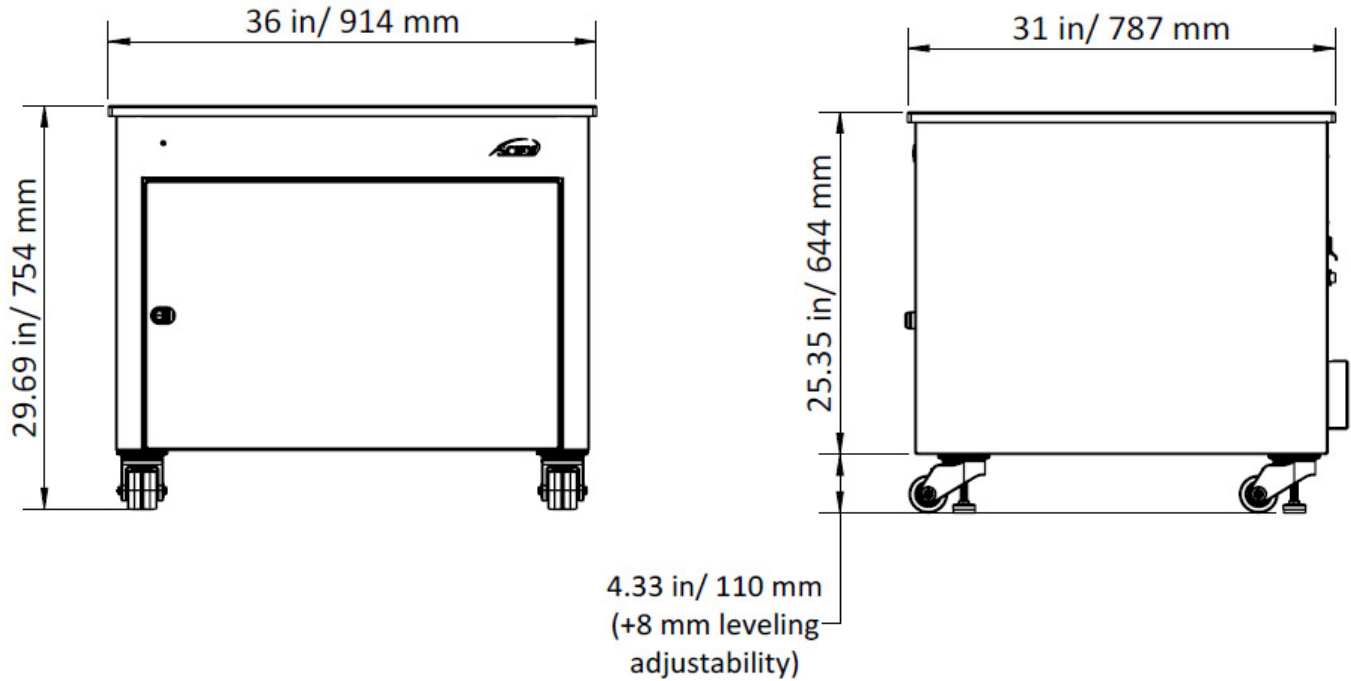
Component List

The MS Enclosure Bench 36 comes fitted with the following components:

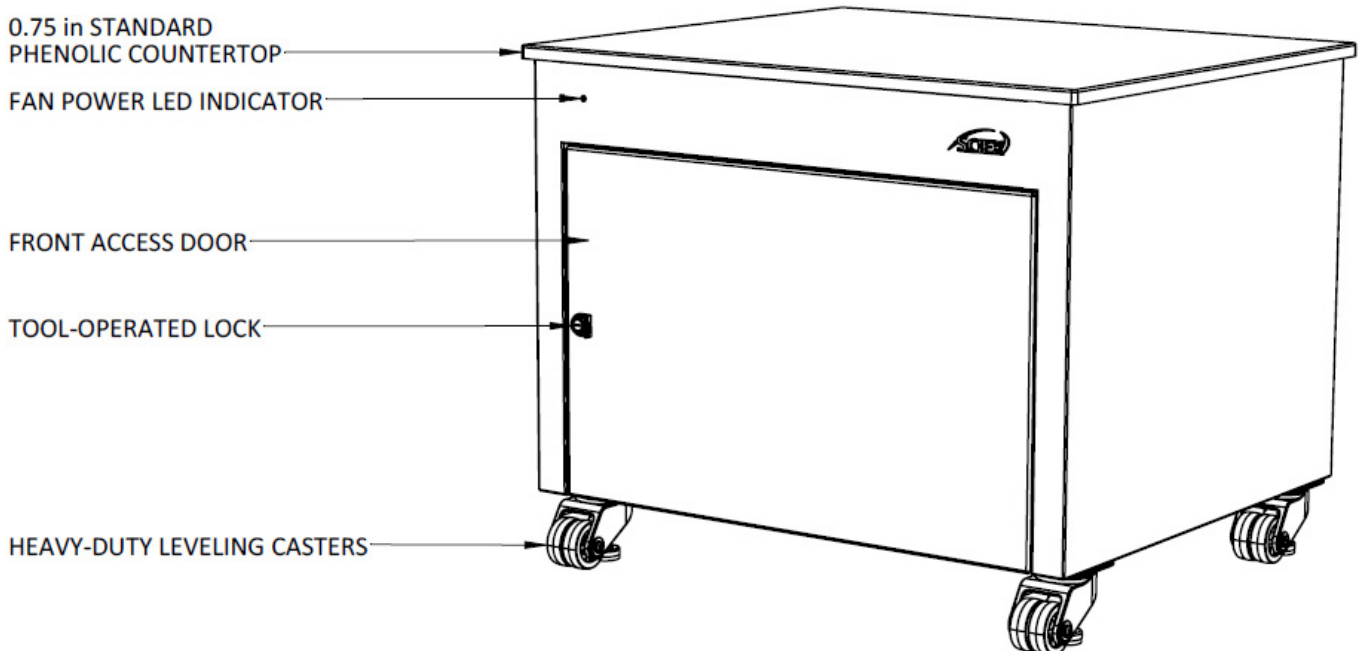
- 1)** 1 x Standard Grade Phenolic Top (36 in x 31 in x 0.75 in)
- 2)** 4 x Heavy-Duty Leveling Casters
- 3)** 1.5 in Sound Insulating Foam
- 4)** Hinged Front Door with a Tool-Operated Lock
- 5)** Removeable Back Panel with a Tool-Operated Lock
- 6)** Slide-out Pump Tray with Locking Slides
- 7)** 2 x Cooling Fans
- 8)** 1 x Green LED Indicator
- 9)** Power Supply Kit

MS Enclosure Bench 36 Overview

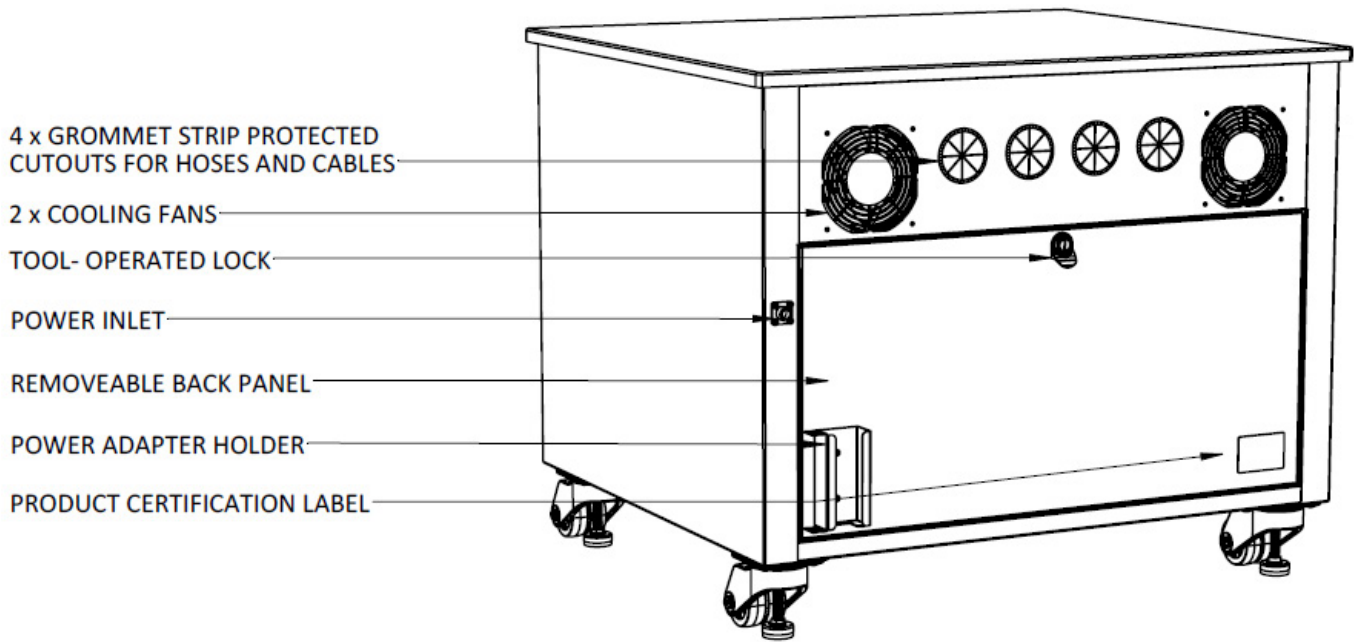
Elevations



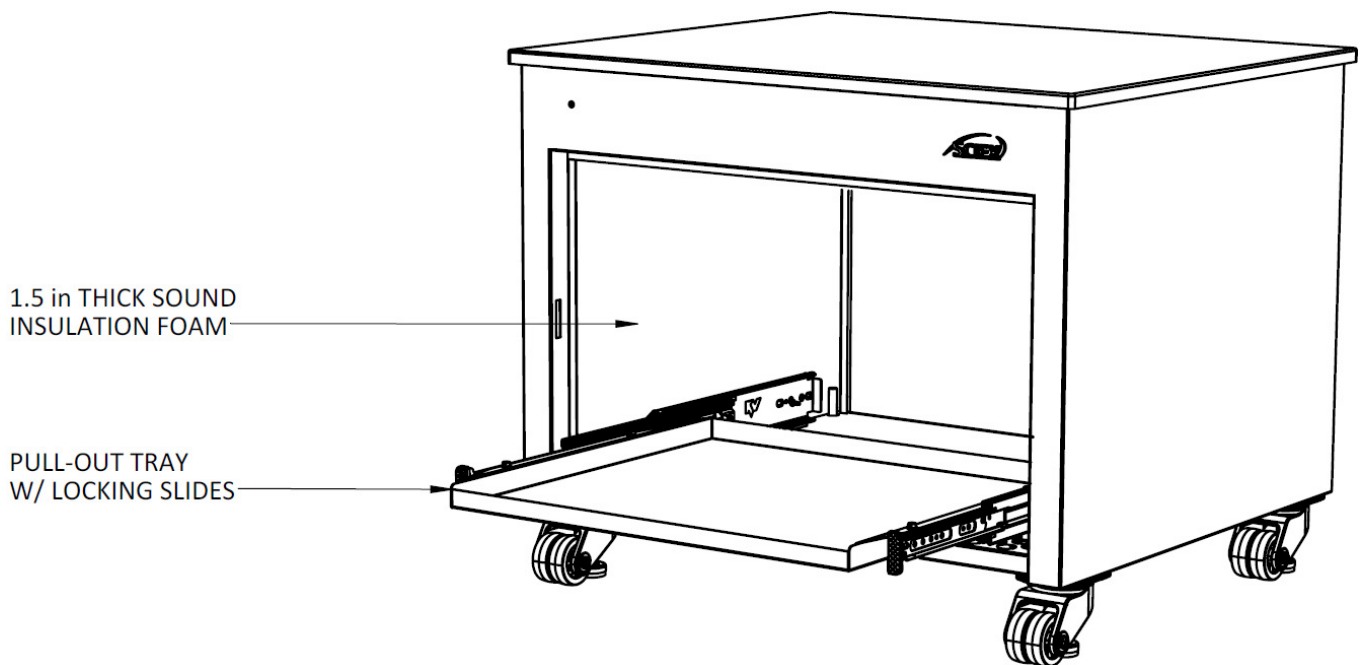
Front



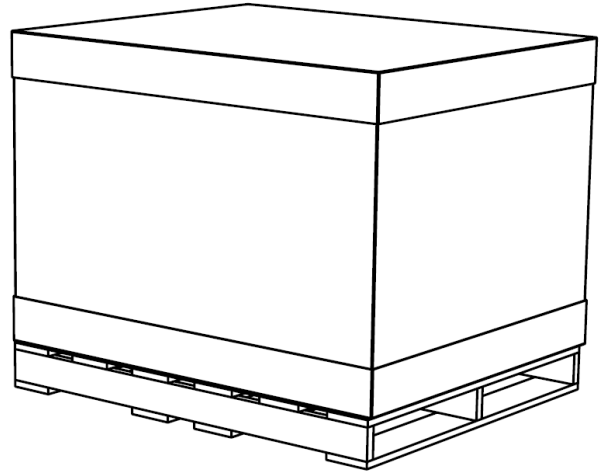
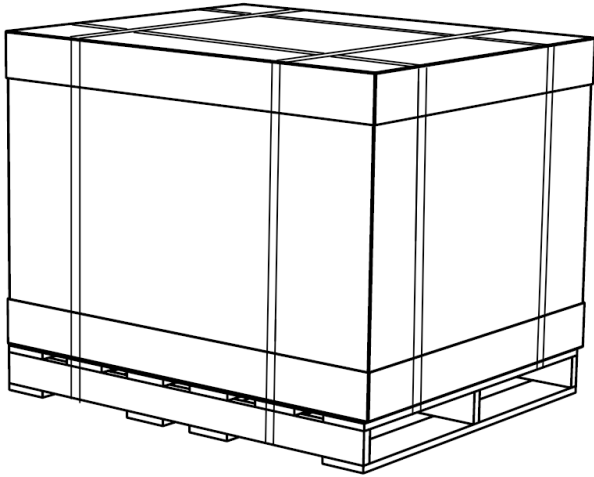
Rear View



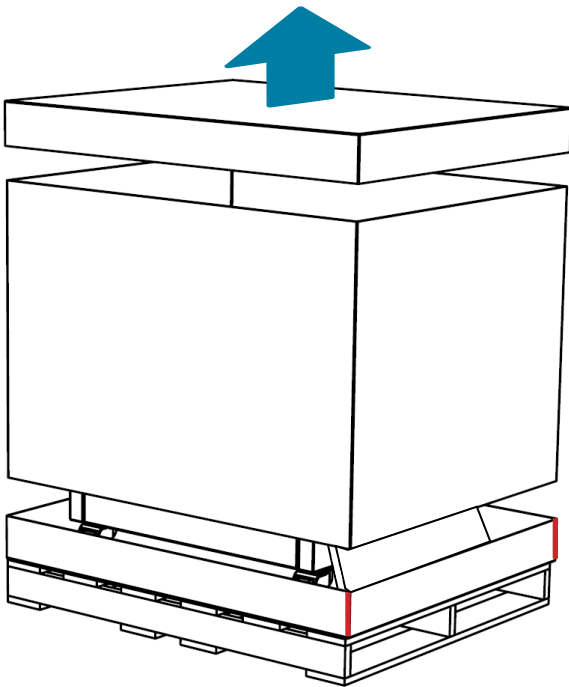
Interior of the Bench (Front door hidden)



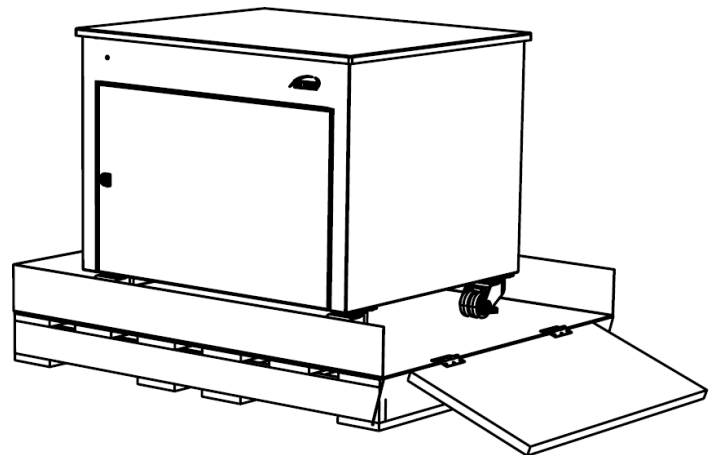
Unpacking and Bench Installation



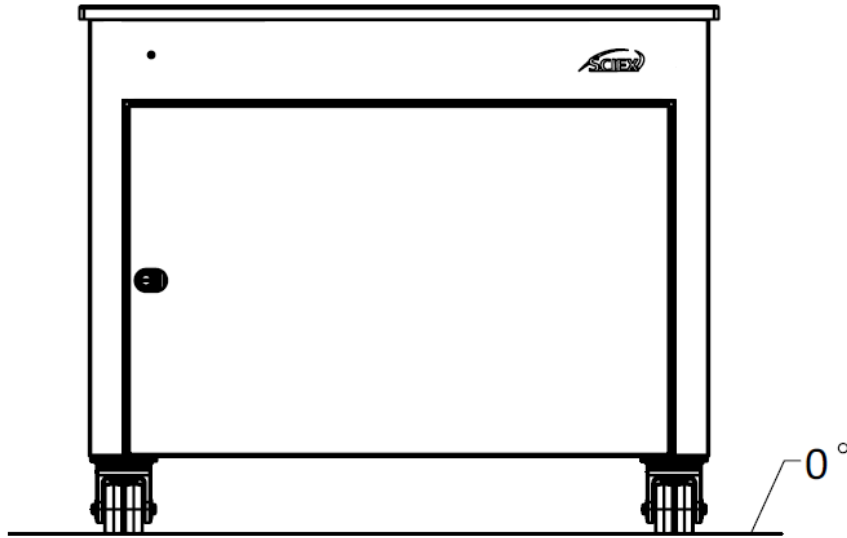
CAUTION Check the packaging for any shipping damage before unpacking the bench. **Report any shipping damage to SCIEX.** Use a box cutter to carefully cut the pallet banding.



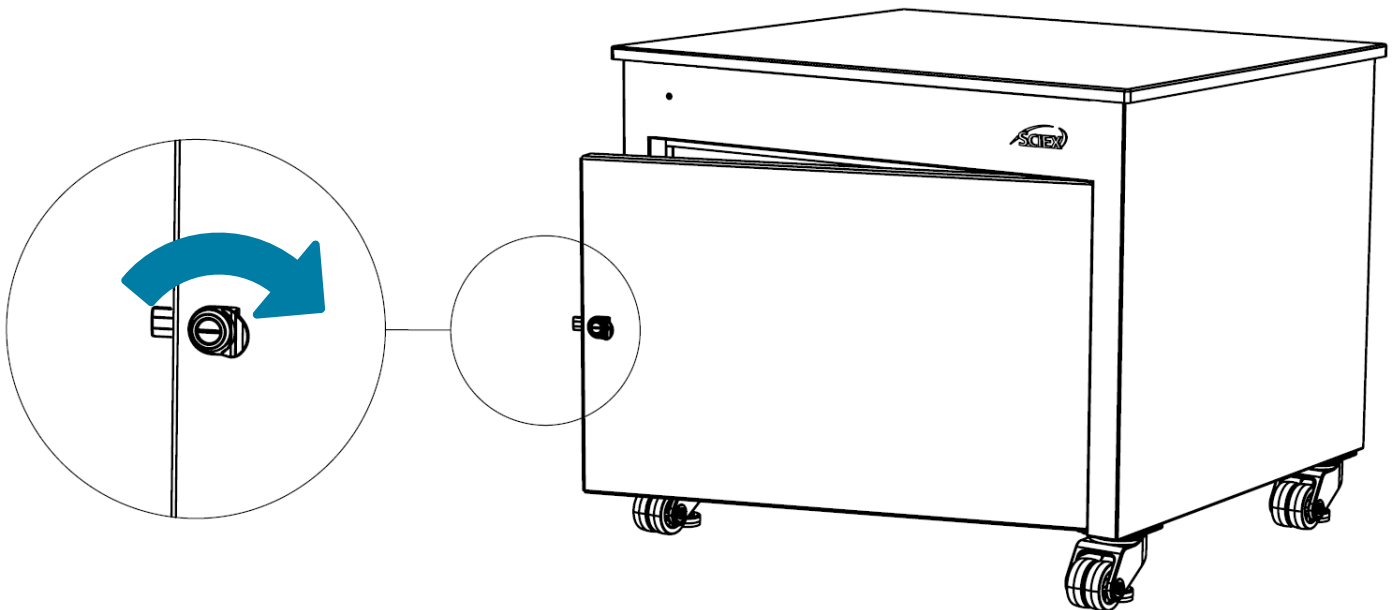
Lift the lid and the mid-section of the box. Cut the lower lid at the edges shown in red.



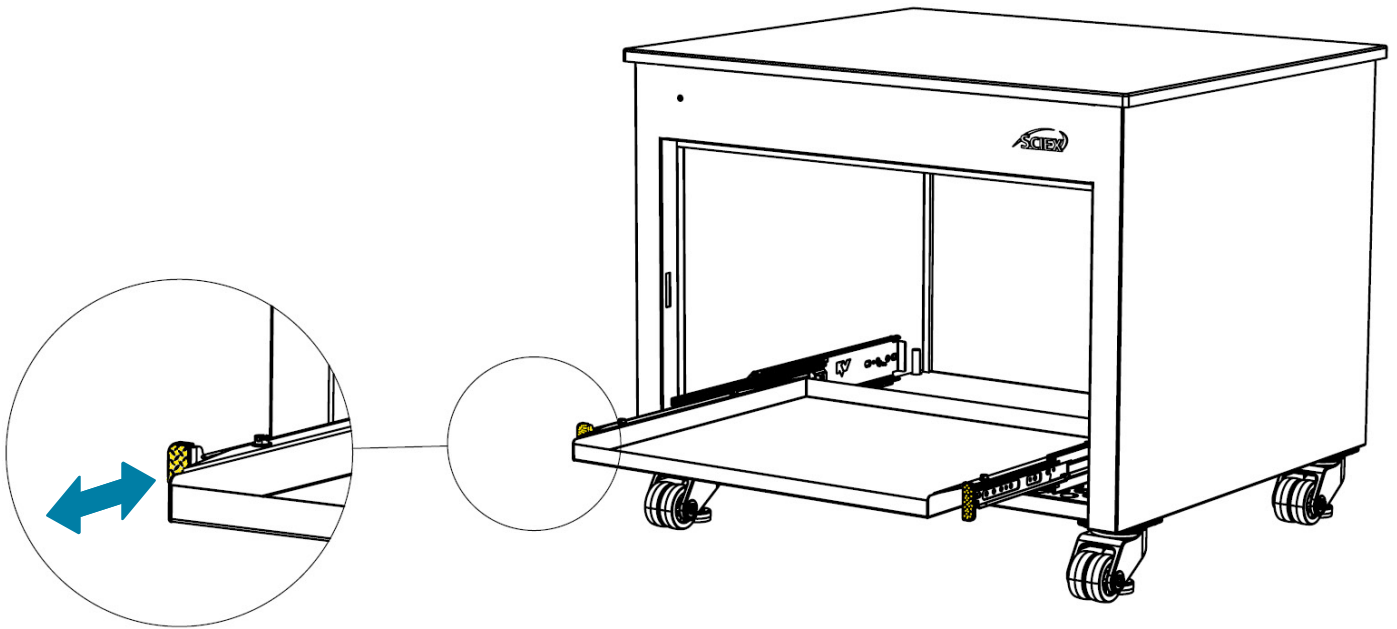
Lower the ramp at the hinges and roll the bench down gently. Follow the setup instructions to finish installation.



CAUTION Position the bench on a flat surface. This makes sure that the MS does not slide off the surface. Carefully place the MS on top of the bench.



Using a **flat-head screwdriver** rotate the lock clockwise and pull the door open. Follow the same procedure for removing the back panel if needed.



To load the roughing pumps, pull both the tabs shown in yellow simultaneously and extend the pull-out tray. The tray will lock after it is fully extended. Load the roughing pumps carefully on the tray. Push the tabs simultaneously to retract the tray inside the bench until you hear a click.



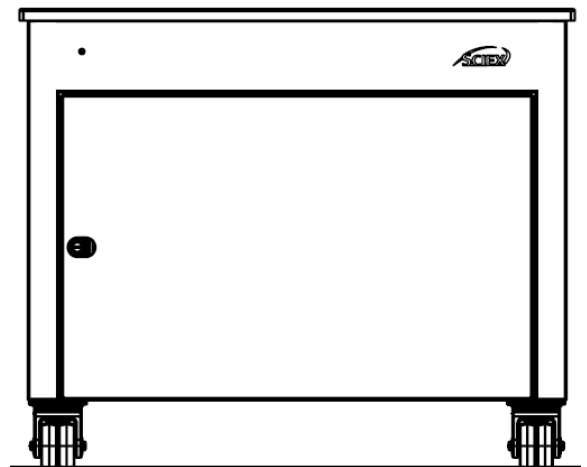
CAUTION Load the MS and LC on the bench top before loading the pumps on the trays.

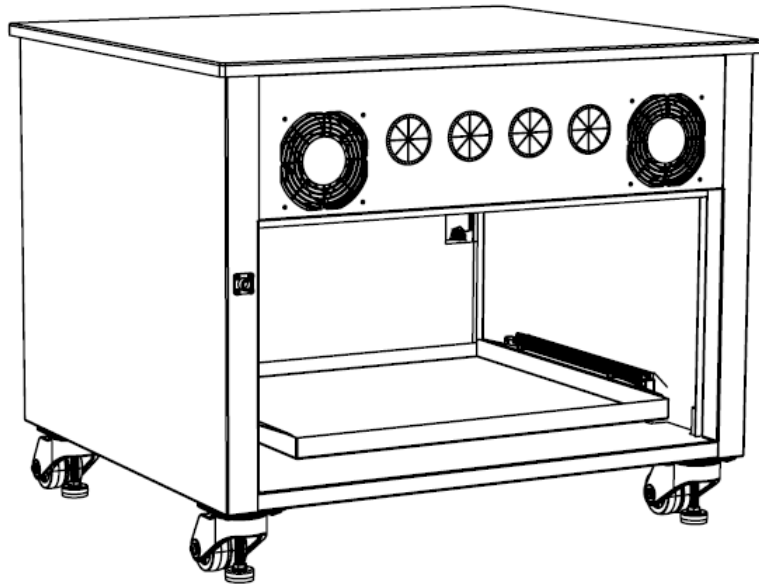
The total weight capacity of the MS Enclosure Bench 36 is **275.5 KGs**.



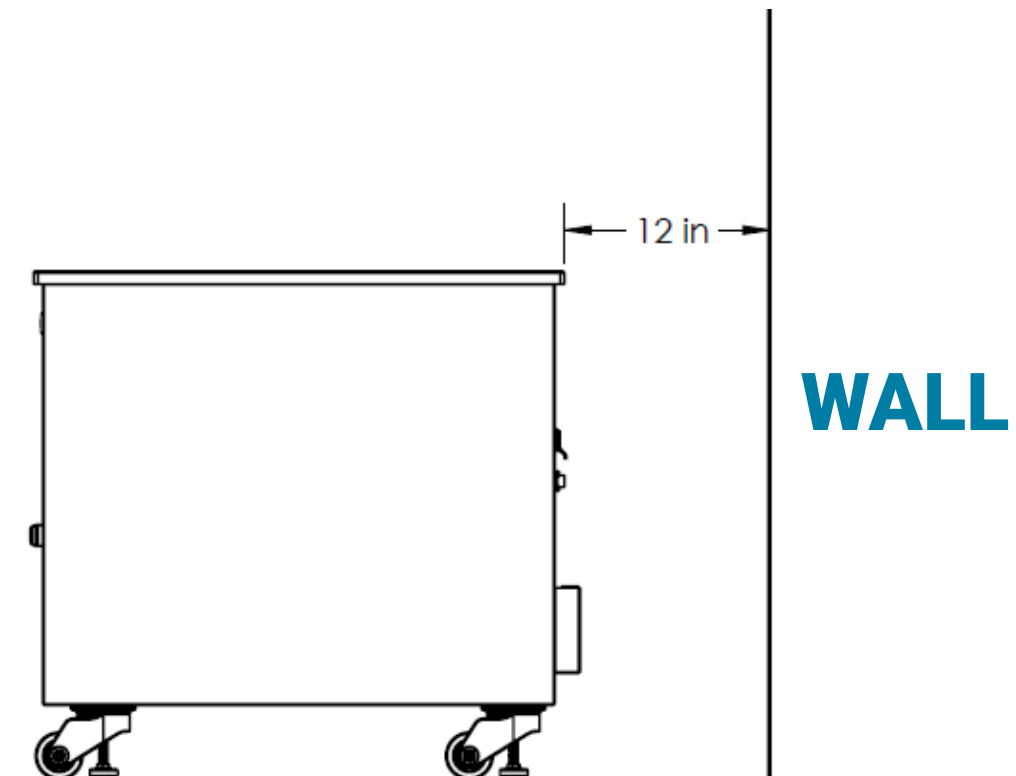
The weight capacity of the pull-out tray is **68 KGs**.

CAUTION Any weight being added on top of the bench and inside the bench **SHOULD NOT** exceed the weight capacity of the bench.

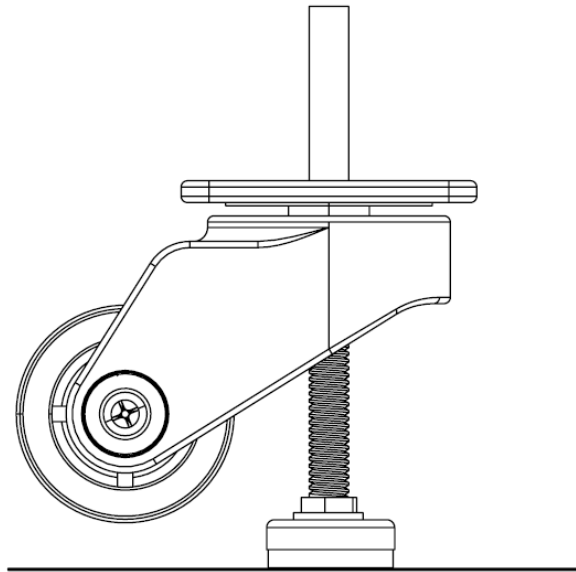




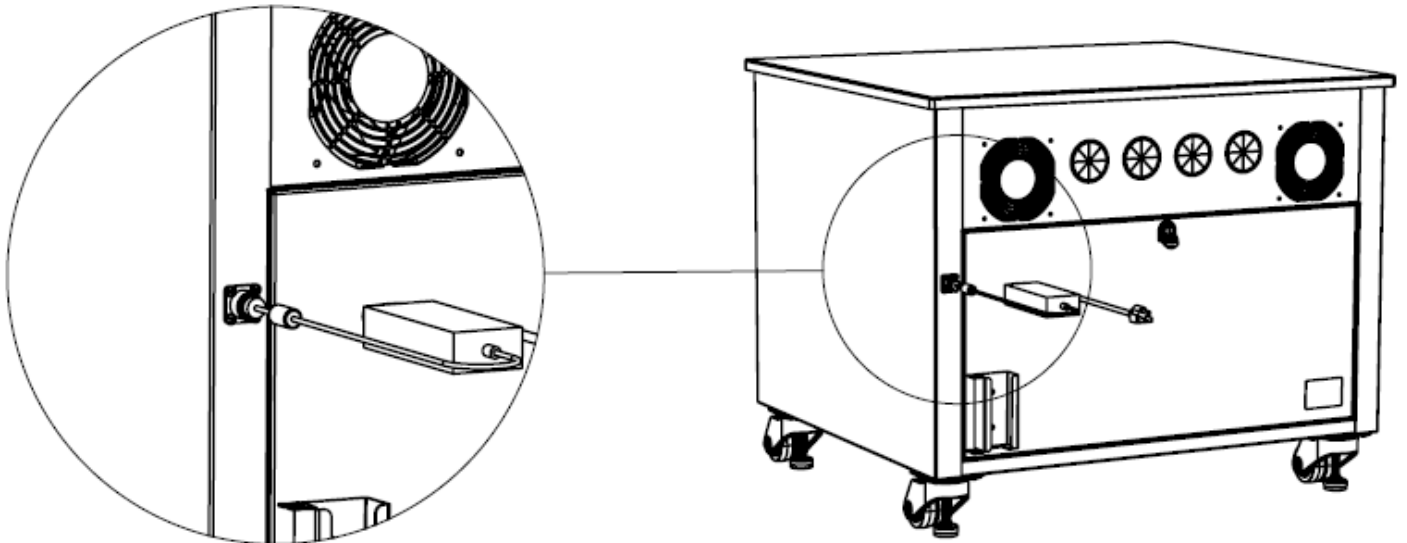
Complete the roughing pump connections to the MS using the instruction manuals provided with the MS. Pass hoses and cables through the four grommet-protected holes on the back of the bench. Remove the back panel for easier access.



CAUTION Roll the bench to the desired position. If the bench is positioned against a wall or any large object, it is recommended to position the bench at least 12" away from the wall or large object. This gives enough space for hot air to disperse. **DO NOT** position the bench in a closed-off location.



WARNING Once it is in position, level the bench by lowering the levelers. **The castor wheels SHOULD be completely off the ground as shown above.** This prevents the bench from rolling when in operation. Use a spirit level to level the bench horizontally.



To turn on the cooling fans, plug the power supply cable into the bulk head connector in the back as shown above. The green LED indicator on the front panel will light up to indicate that the power is on. **WARNING** Choose the appropriate power cord from the ones provided based on the region you are operating in.

Fuse Replacement

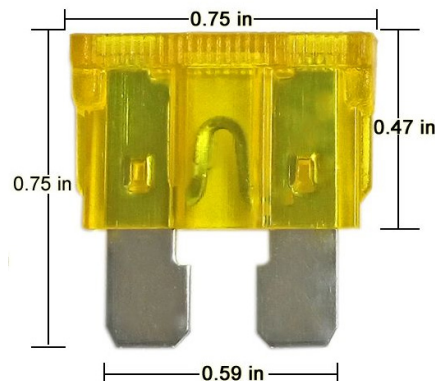
The harness powering the fans and LED light comes with a replaceable **automotive blade type fuse**. The fuse is rated for **32V** and **3A**.



WARNING Make sure that the power supply is turned off and the power cables are disconnected before replacing the fuse.

In the rare case of a fuse failure, the damaged fuse can be replaced with a similar rated automotive blade fuse. To replace the fuse, use the following instructions:

- 1) Remove the back panel.
- 2) Take the foam out on the left side panel.
- 3) Find the fuse holder, and open the cap.
- 4) Replace the damaged fuse with the new one and close the cap securely.



Cleaning

Use clean soapy water to clean the outside surfaces of the bench and the countertop. Do not use harsh chemicals for cleaning.



WARNING Make sure that the power supply is turned off and the power cables are disconnected before cleaning.

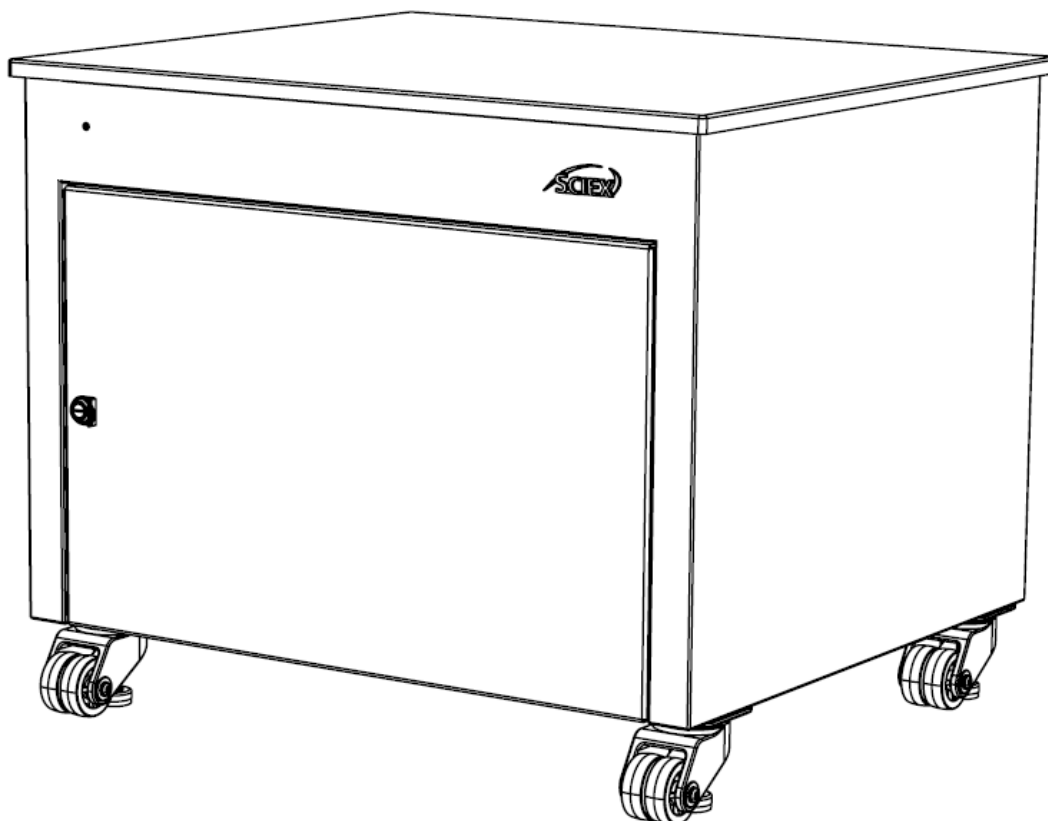
Troubleshooting

Problem	Solutions
<p>The cooling fans do not switch on after plugging in power.</p>	<ul style="list-style-type: none">• Make sure the power supply is connected and the power is turned on.• If the Green LED on the front panel is glowing, the fans are malfunctioning. Contact SCIEX.• If the Green LED on the front panel is not on, check the fuse in the cable harness.• Contact SCIEX.
<p>The LED light does not switch on after plugging in power.</p>	<ul style="list-style-type: none">• Make sure the power supply is connected and the power is turned on.• If the cooling fans are running, the LED light is malfunctioning. Contact SCIEX.• If the cooling fan is not running, check the fuse in the cable harness.• Contact SCIEX.

Notes

Notes

Notes



AB Sciex LLC

500 Old Connecticut Path

Framingham, MA 01701

U.S.A.

www.sciex.com