

OptiFlow Pro Ion Source

APCI Quick Start Guide

Part Number: 5090077

Document Number: RUO-IDV-05-10658-B

© 2021 DH Tech. Dev. Pte. Ltd.

For research use only. Not for use in diagnostic procedures.

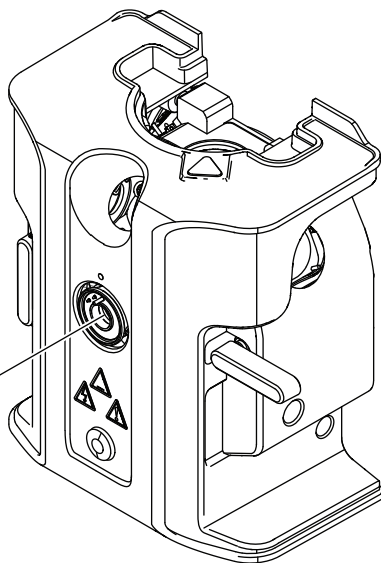
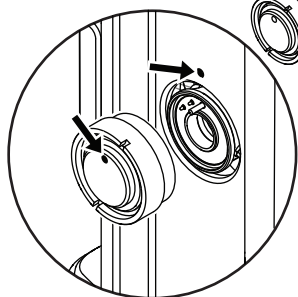


Before using this *Quick Start Guide*, refer to the *OptiFlow Pro Ion Source Operator Guide* for safety information.

1

Install the Front Port Plug Steps:

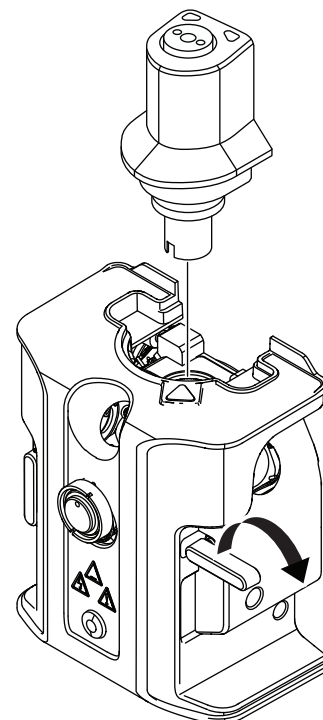
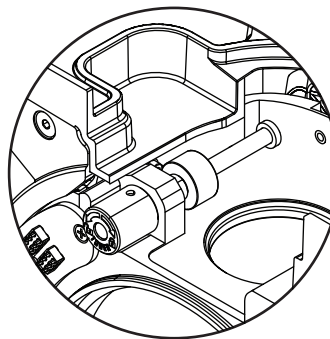
1. Insert the plug in the front port. Make sure that the dot on the plug is aligned with the dot on the front port.
2. Tighten the knurled ring of the probe, until it is finger-tight.



2

Install the APCI Module Steps:

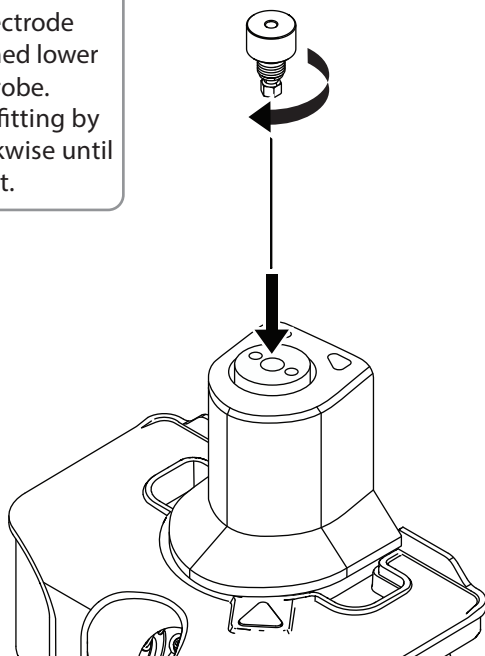
1. Lower the module into the ion source housing. Make sure that the module is seated firmly with no movement.
2. Turn the locking dial clockwise until it stops turning.



3

Install the Electrode Steps:

1. Insert the electrode with the attached lower fitting in the probe.
2. Tighten the fitting by turning it clockwise until it is finger-tight.



4

Install the Sample Introduction Tubing Steps:

1. Install the sample introduction tubing in the PEEK fitting.
2. Install the PEEK fitting in the lower fitting. Hold the sample introduction tubing, and then turn the PEEK fitting clockwise until it is finger-tight.

