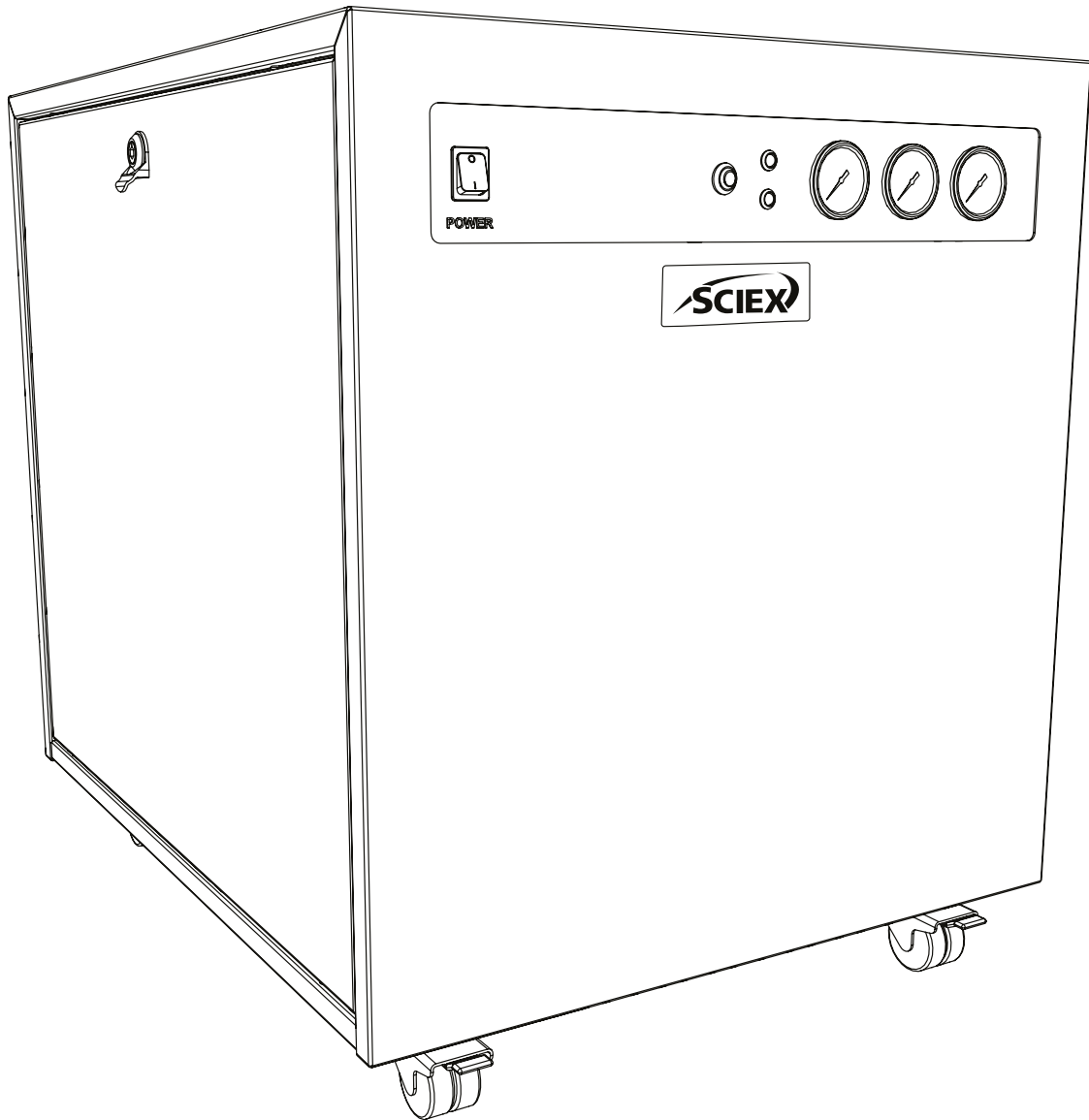


SCIEX Gas Generator N19A26

Installation Guide



Change History

Rev	Comment	Name	Date
A	Initial Release	L. Couttie	01/06/2022
B	Drain Connection Warning Added	L. Couttie	06/12/2022

How to use this Installation Guide

This manual is intended for end users and has been written as a reference document where you can skip to the relevant information.

Users can refer to the contents page to find the relevant information.

Review each of the following sections carefully.





Thank you for selecting SCIEX to meet your gas generation needs, and should you require any further assistance or support do not hesitate to contact SCIEX.

Safety Notices

The warnings detailed within this manual refer to the most likely potential hazards, but by definition cannot be all inclusive. If the user employs an operating procedure, item of equipment or a method of working which is not specifically recommended by SCIEX, the user must ensure that the equipment will not be damaged or become hazardous to persons or property.

Symbols

This manual uses the following symbols to highlight specific areas important to the safe and proper use of the generator.

 WARNING	A WARNING notice denotes a hazard. It calls attention to an operating procedure, process or similar, which if not correctly performed or adhered to, could cause personal injury or in the worst case death. Do not proceed beyond a WARNING notice until the indicated conditions are fully understood or met.
 CAUTION	A CAUTION notice denotes a hazard. It calls attention to an operating procedure, process or similar, which if not correctly performed or adhered to, could cause damage to the generator or the application. Do not proceed beyond a CAUTION notice until the indicated conditions are fully understood or met.
	Caution, risk of electric shock. Ensure power to the generator has been removed before proceeding.
	Symbol denotes details of the products manufacturer.

Safety Notice to Users



These instructions must be read thoroughly and understood before installation and operation of your SCIEX Gas Generator. Use of the generator in a manner not specified by SCIEX MAY impair the SAFETY provided by the equipment.

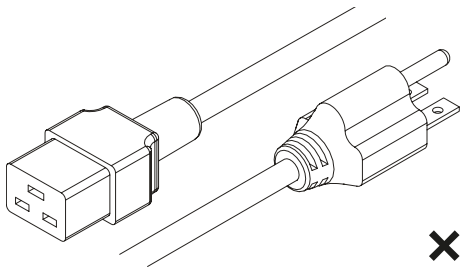


When handling, operating or carrying out any maintenance, personnel must employ safe engineering practices and observe all relevant local health and safety requirements and regulations. The attention of UK users is drawn to the Health and Safety at Work Act 1974, and the Institute of Electrical Engineers regulations.

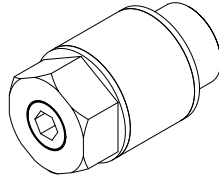


If the equipment is used in a manner not specified by the manufacturer, the protection provided by the equipment may be impaired.

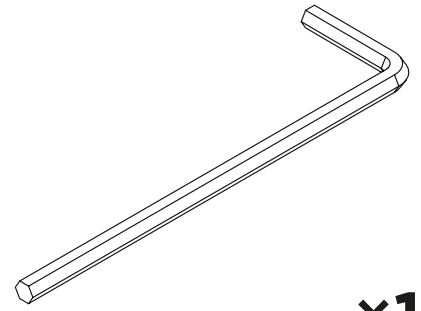
Fittings Kit



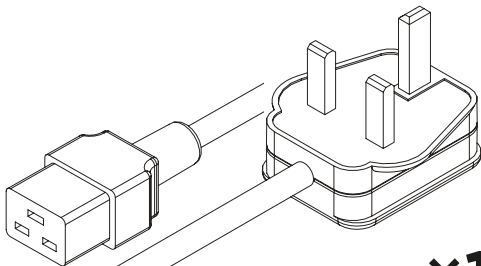
x1
US Mains Cable C19 6-15 04-1024



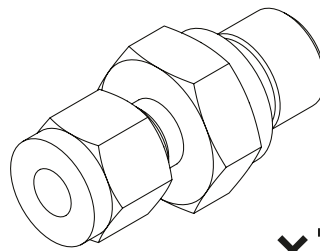
x3
Flow Control Silencer 02-1096



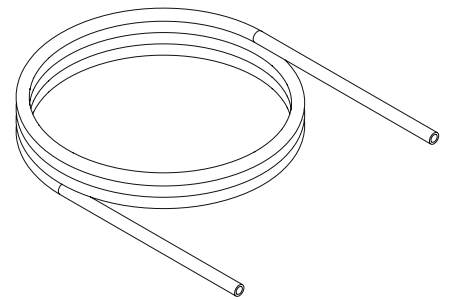
x1
8mm Hex Key 00-0007



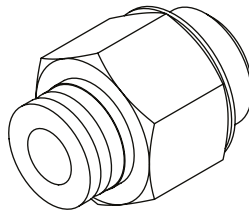
x1
UK Mains Cable C19 04-1025



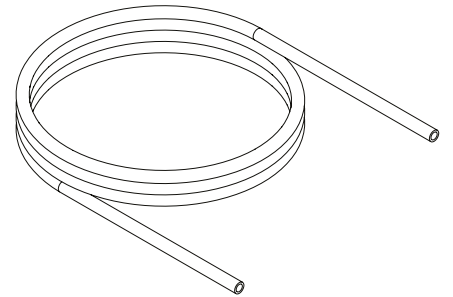
x3
1/4" Compression Fitting
02-4421



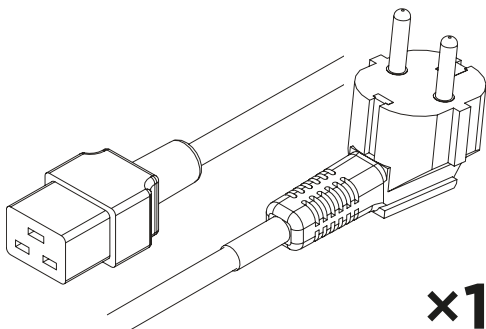
3x3m
1/4" PTFE Tubing 00-1266



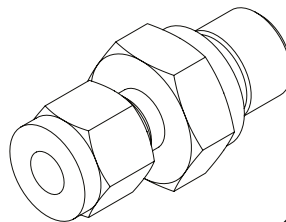
x1
1/4" - 6mm Push Fit Fitting
02-4600



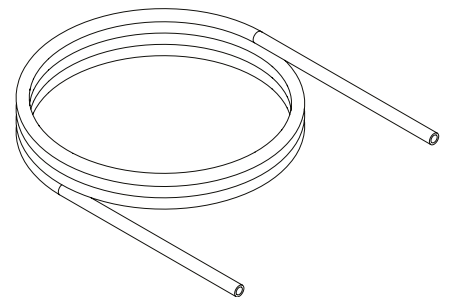
x3m
6mm OD x 4mm ID PE 00-1282



x1
EU Mains Cable C19 04-1026

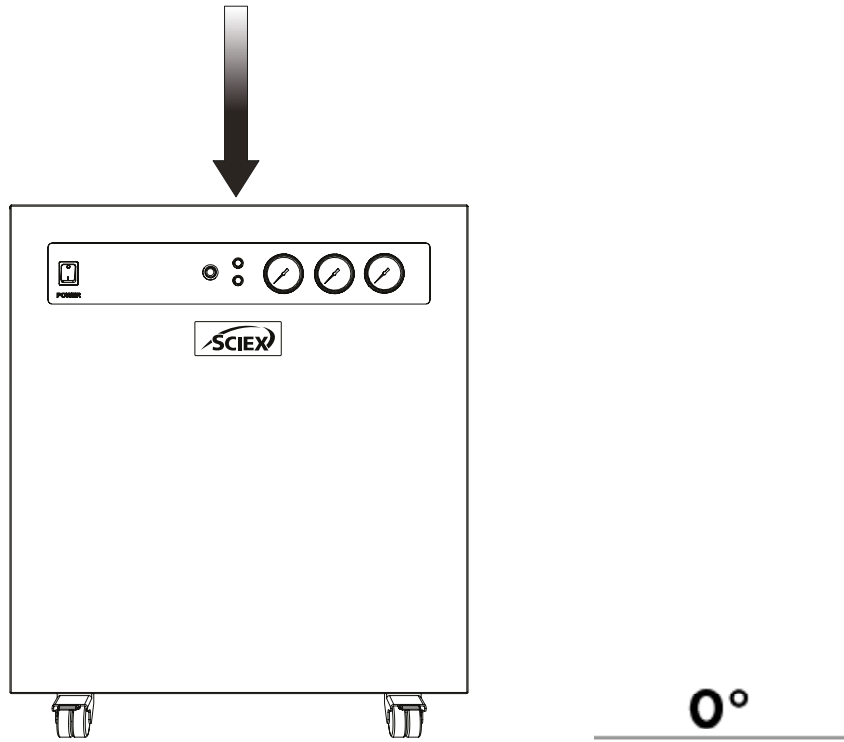


x1
5/16" Compression Fitting
3303538



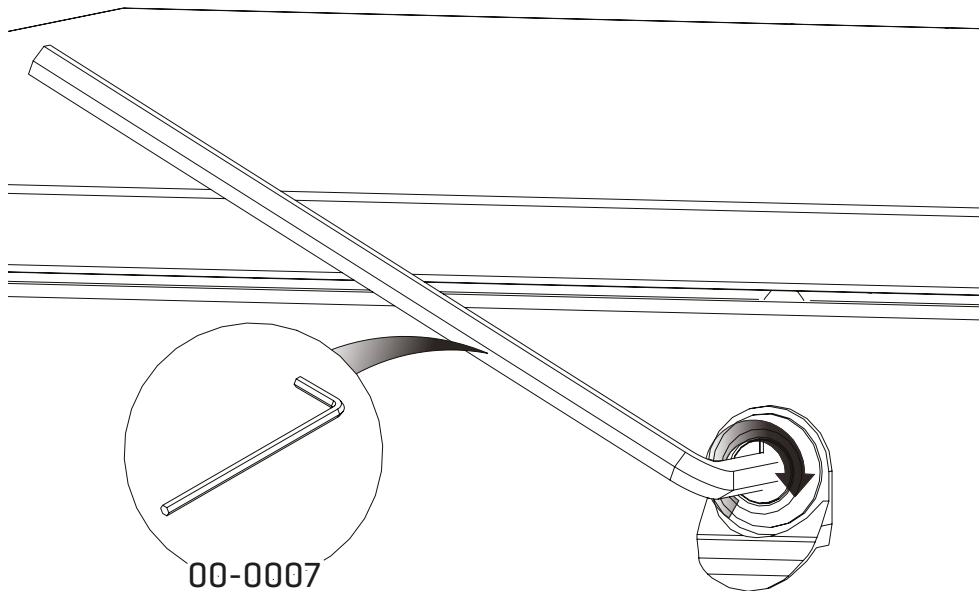
1x3m
5/16" PTFE Tubing 3303537

1.



Unpack the generator from the shipping crate and position on a flat surface, in desired area.

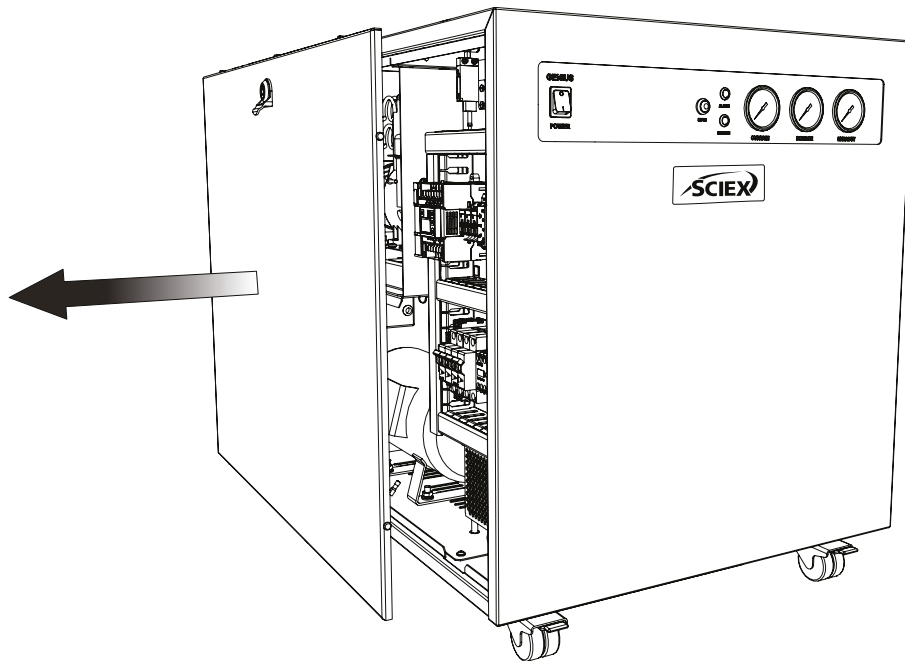
2.



First **remove the compressor transit brackets.**

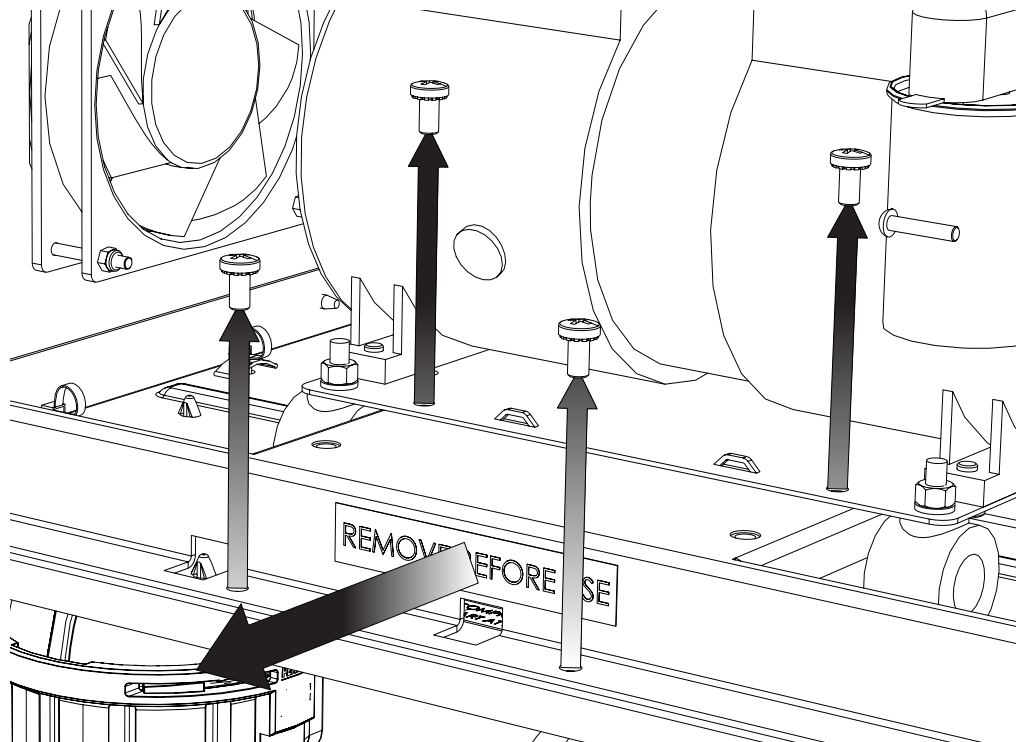
These can be accessed by removing the generator side panels. Starting with the left hand side panel, use the **8mm Hex Key 00-0007**, and turn the lock 90° to the right.

3.



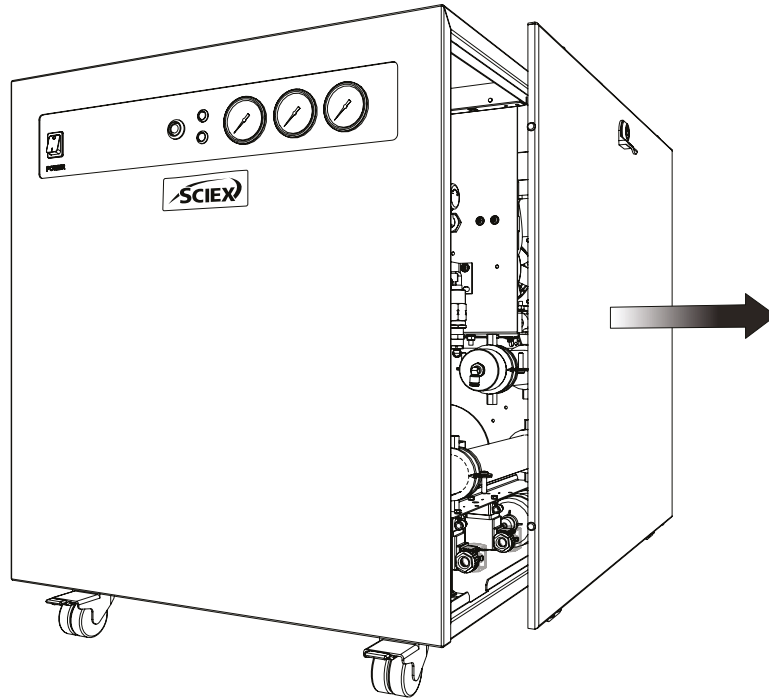
Once unlocked **remove the left hand side panel**, ensuring you **disconnect the earth lead** located in the lower middle of the panel.

4.



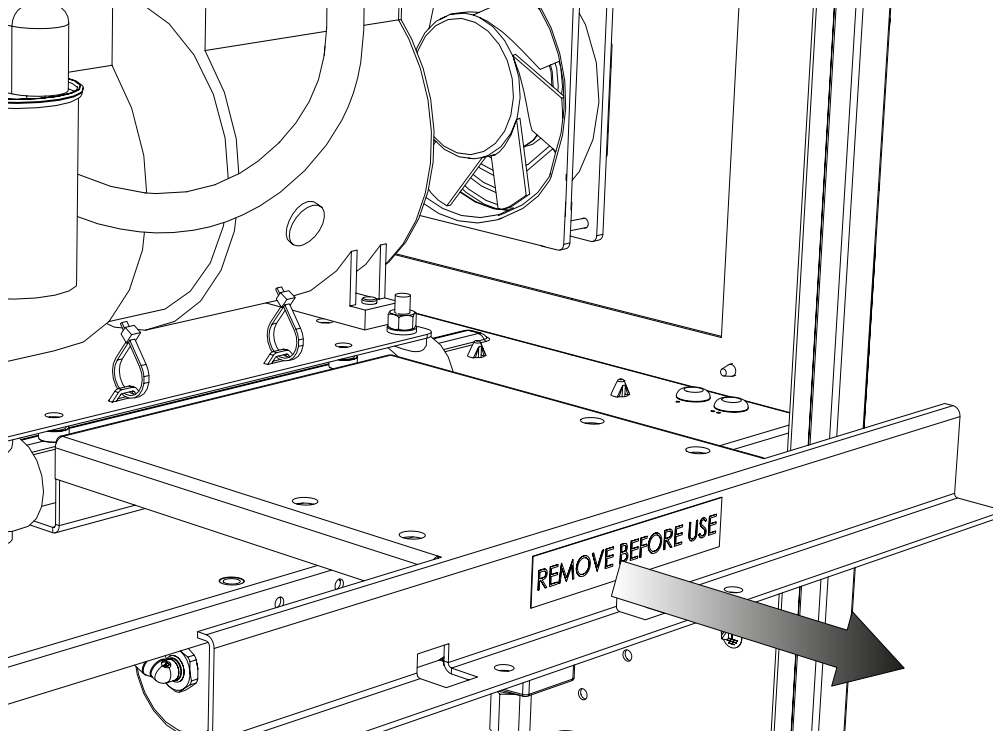
The **transit bracket** is located below the compressor and has a sticker on it stating 'Remove before use'. To remove the transit bracket, **remove the four screws** as indicated, then **slide the bracket out** from underneath the compressor. Retain the bracket and screws for future transportation.

5.



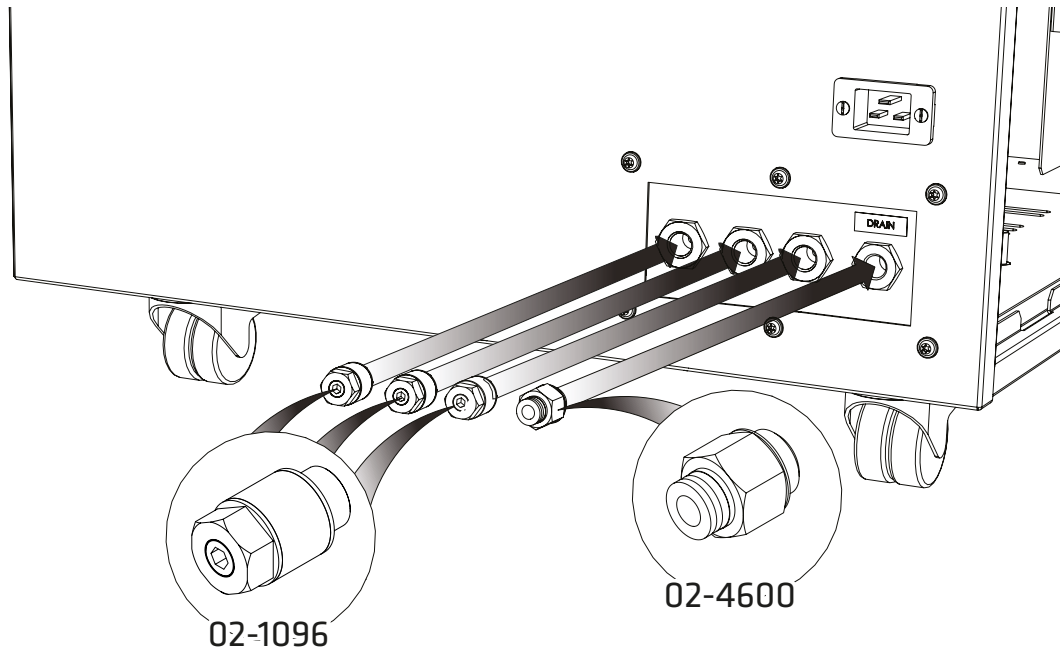
Follow the same process to **remove the right hand side panel.**

6.



Repeat step 4 to **remove the right hand side transit bracket.**

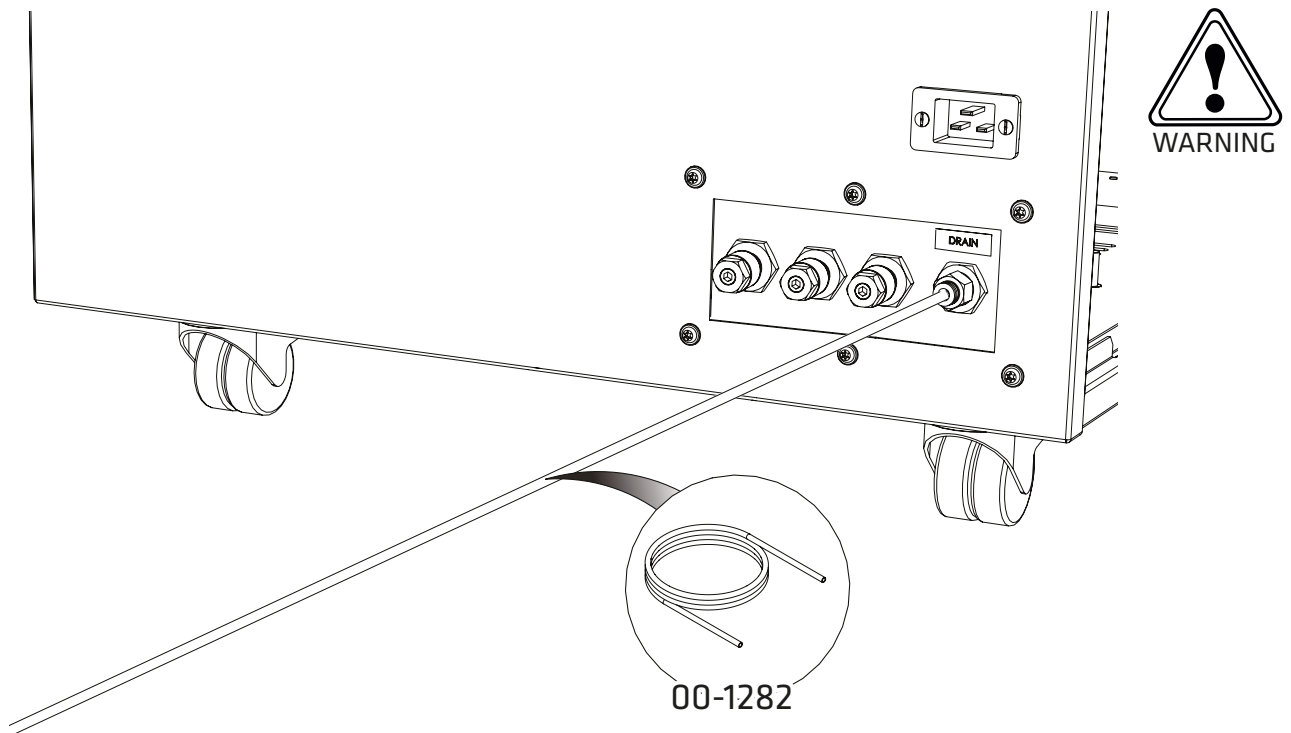
7.



Select the $\frac{1}{4}$ "- 6mm Push Fit Fitting **02-4600** and attach to the Drain port at the rear of the generator.

Attach the three **Flow Control Silencer 02-1096** fittings to the **Curtain, Source & Exhaust** Ports.

8.

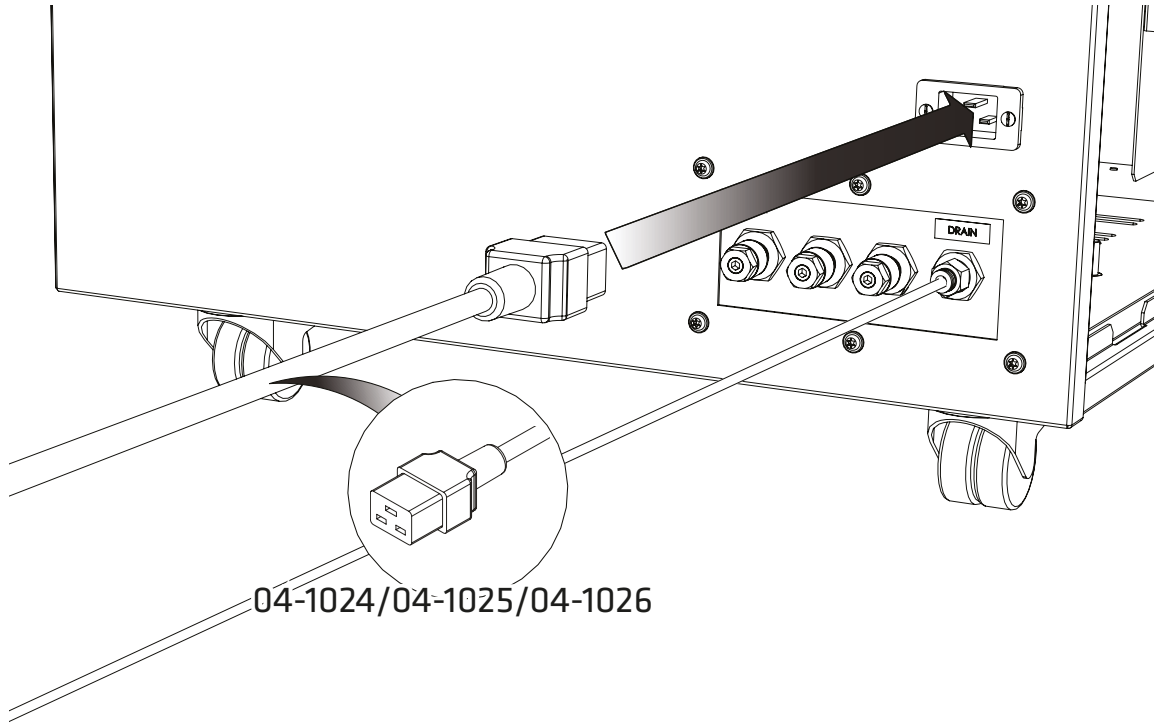


Connect the **6mm PE Tubing 00-1282** to the $\frac{1}{4}$ "- 6mm Push Fit Fitting **02-4600**.

Fit the other end of the tubing to a suitable drain connection or container.

WARNING: The container used MUST be a plastic material and MUST NOT be glass for safety reasons. The container MUST NOT have an airtight seal as water and air will be expelled periodically under slight pressure.

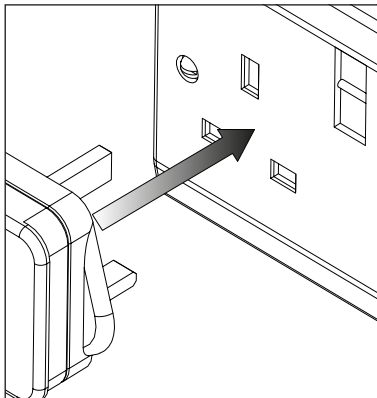
9.



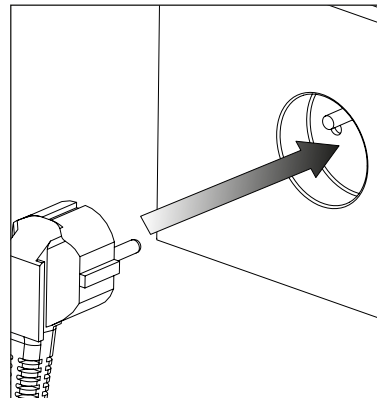
Select the appropriate **IEC 60320/C19** mains cable from the fittings kit and plug the cable into the mains input at the rear of the generator.

10.

UK



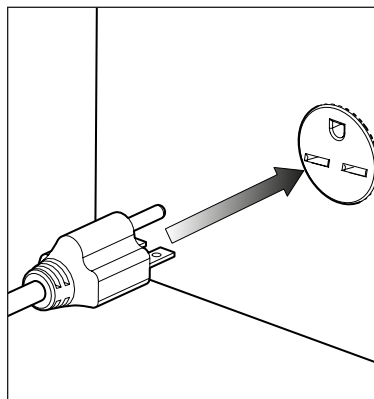
EU



CAUTION



US
230V

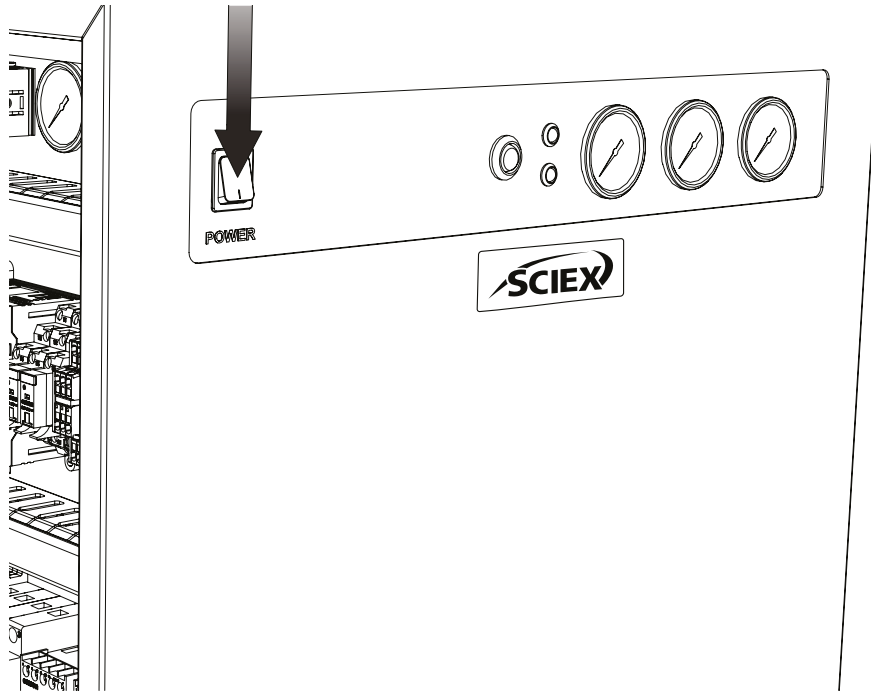


230VAC 50/60Hz

Plug the mains cable into the corresponding **230VAC 50/60Hz** single phase power supply.

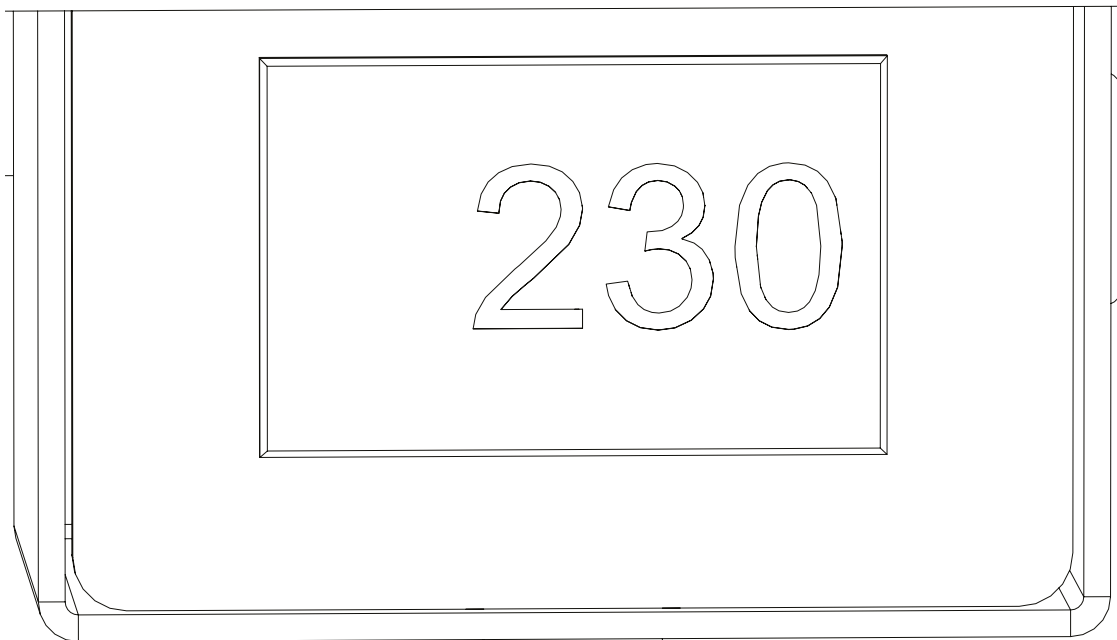
CAUTION: Ensure the correct cable has been selected for your electrical supply.

11.



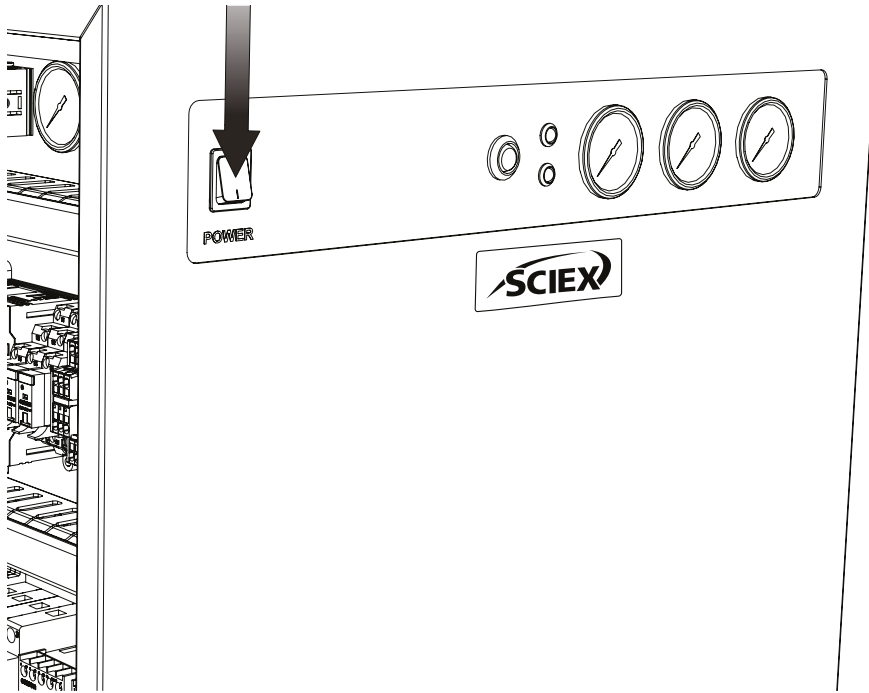
Switch the generator power **ON** using the switch on the front panel.

12.



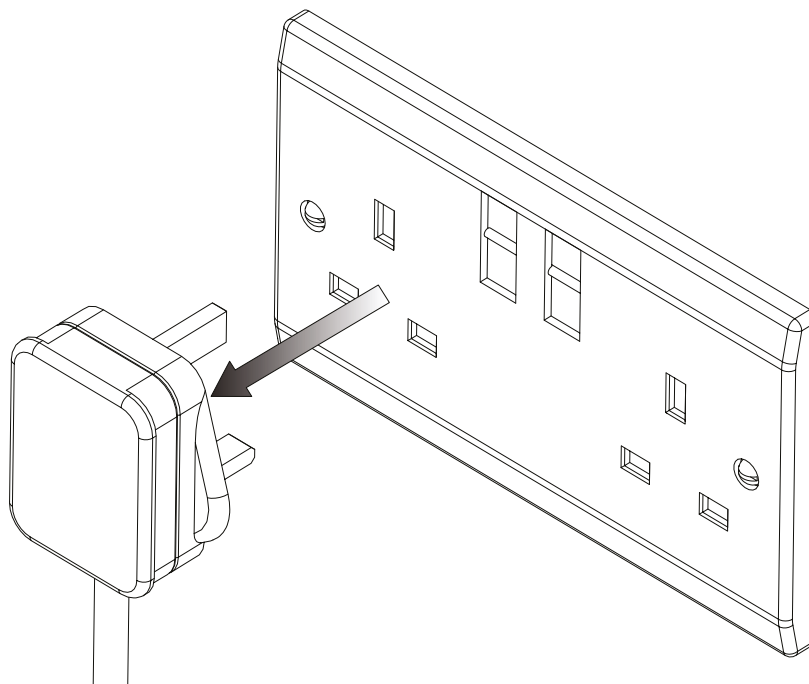
Check the Generators **internal voltmeter**. This will measure and display the mains voltage that is being supplied to the generator. Note the displayed voltage. If the voltage is 219V or less, we would highly recommend fitting a transformer. This can be ordered from SCIEX: **06-3200 Dual Tap Transformer 200-230V**.

13.



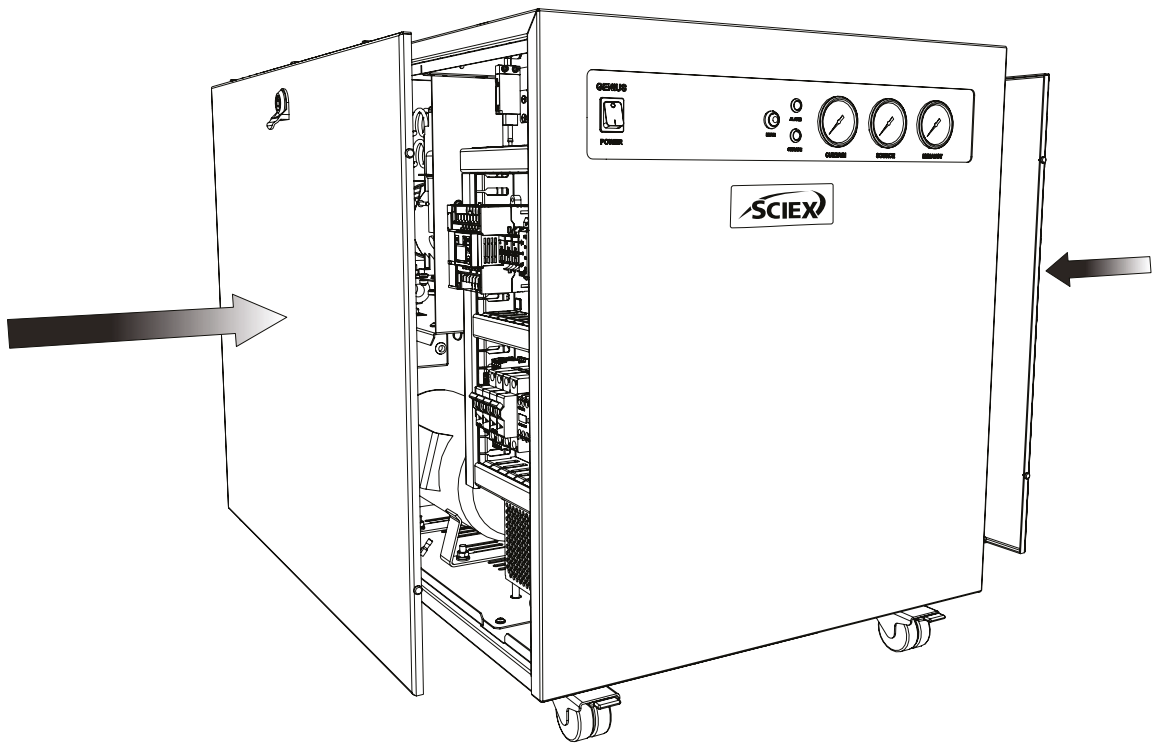
Switch the generator **OFF** using the switch on the front panel.

14.



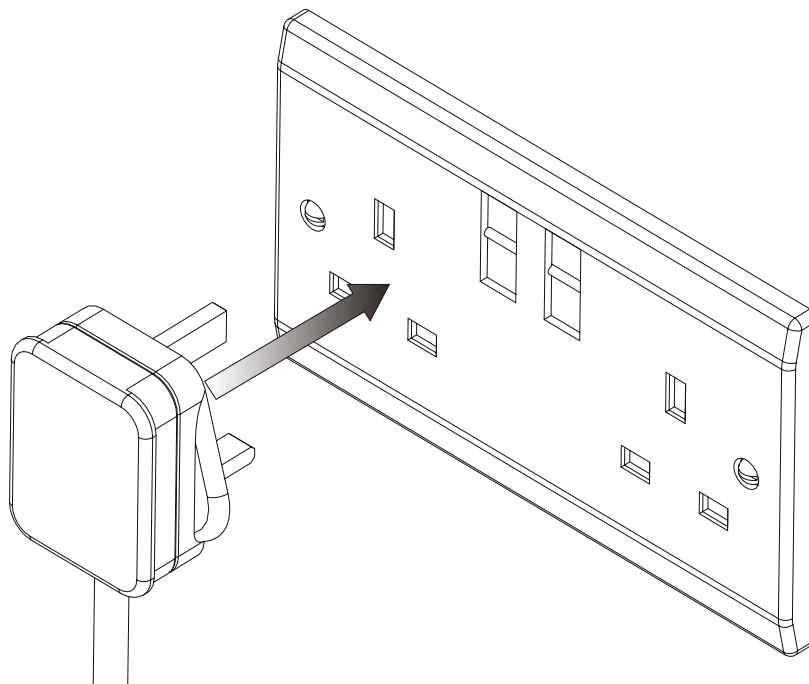
Remove the mains cable completely from the power supply.

15.



Re-attach both side panels to the generator, ensuring the **earth leads** are **re-connected** and the **locks** are **secured**.

16.



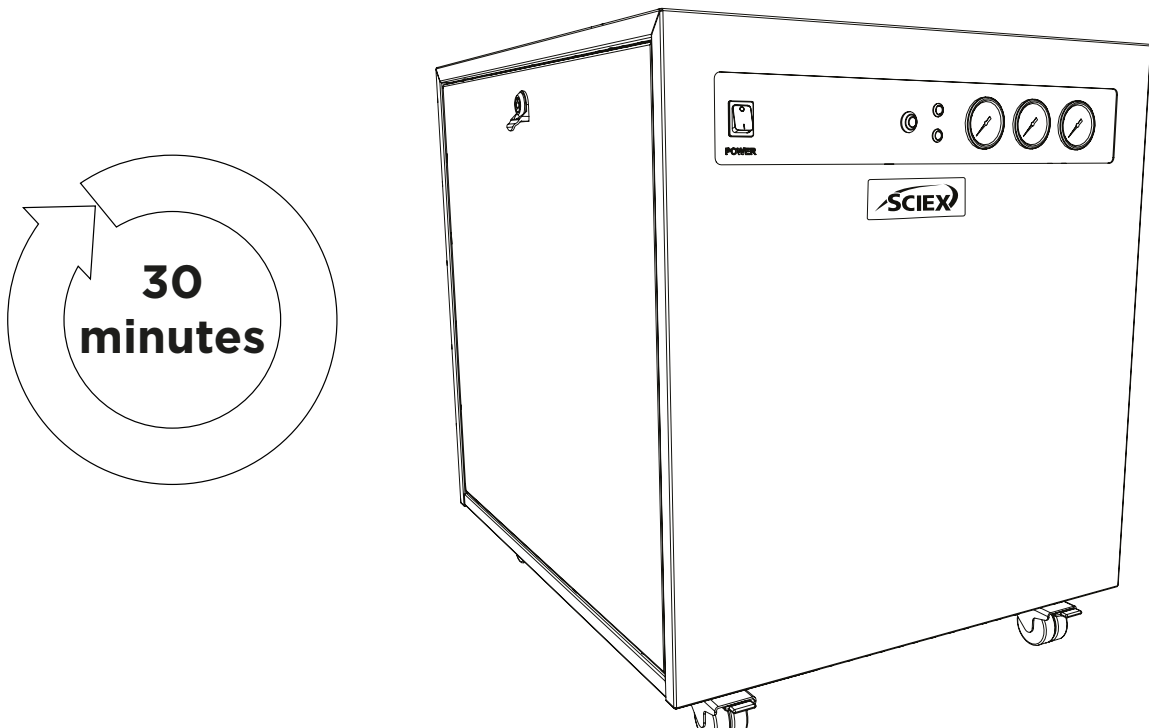
With the side panels securely re-attached, the mains power supply can be **re-connected**.

17.



Again, switch the generator power **ON** using the switch on the front panel.

18.



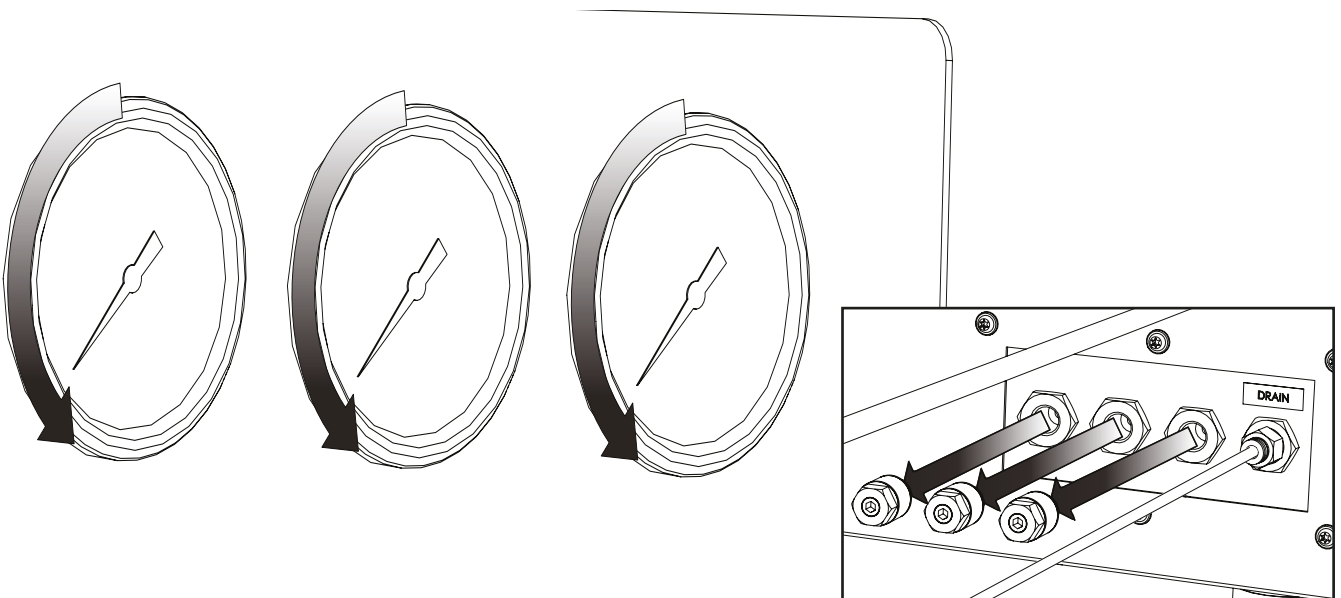
Leave the generator **switched on** for a period of **30 minutes** to purge the system.

19.



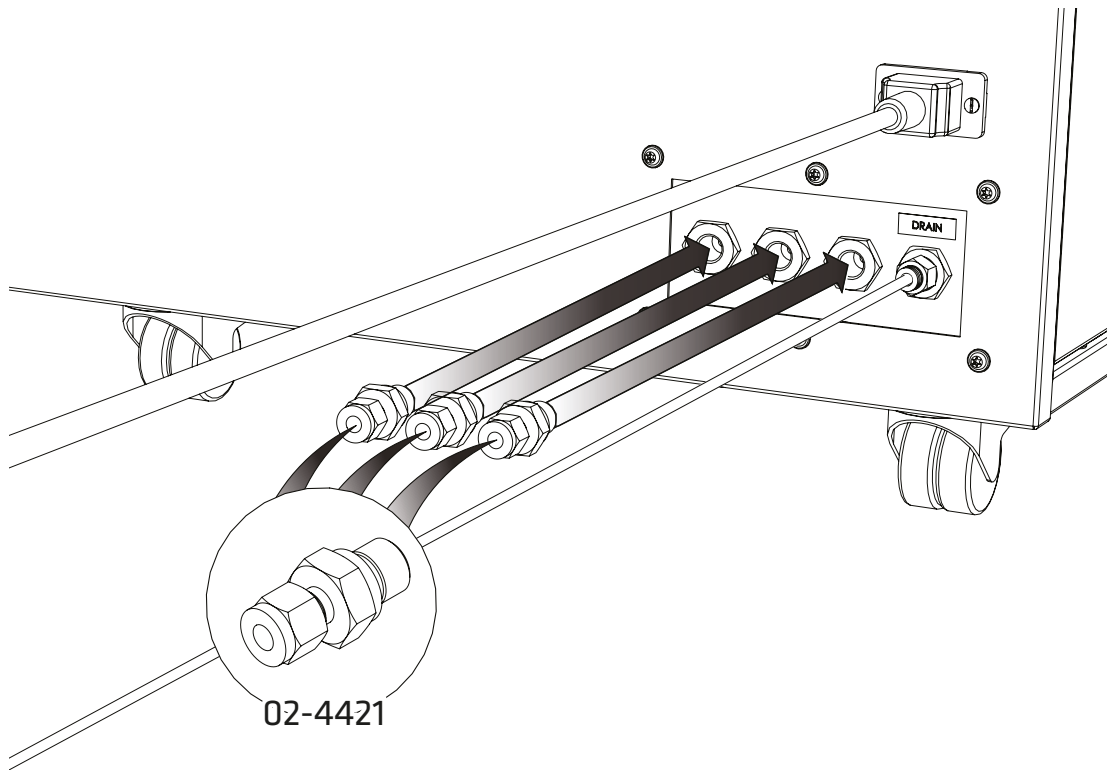
After 30 minutes of running, the generator can be turned **OFF**.
Allow the stored gas in the internal tanks to dissipate.

20.



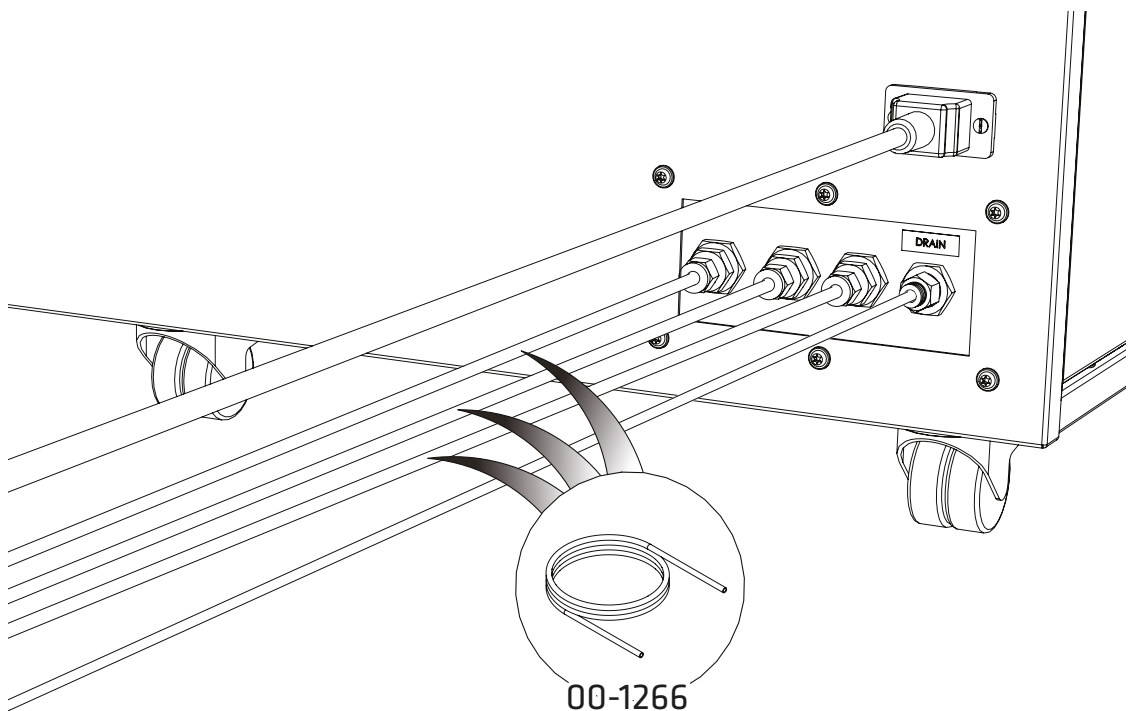
The purge is now complete. Once the pressure gauges on the front of the generator read 0, the **silencer fittings can be removed** from the Curtain, Source & Exhaust ports.

21.



Select the ¼" **Compression Fittings 02-4421** and connect to the **CURTAIN, SOURCE & EXHAUST** ports.

22.



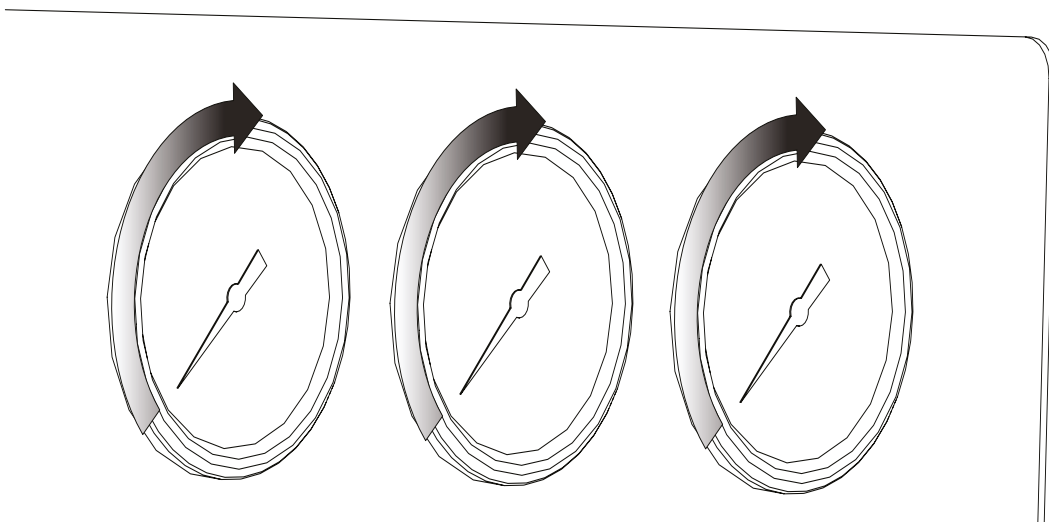
Attach the ¼" **PTFE tubing 00-1266** to the fittings attached to the **CURTAIN, SOURCE & EXHAUST** and connect to the corresponding **gas inlets of your instrument**.

23.



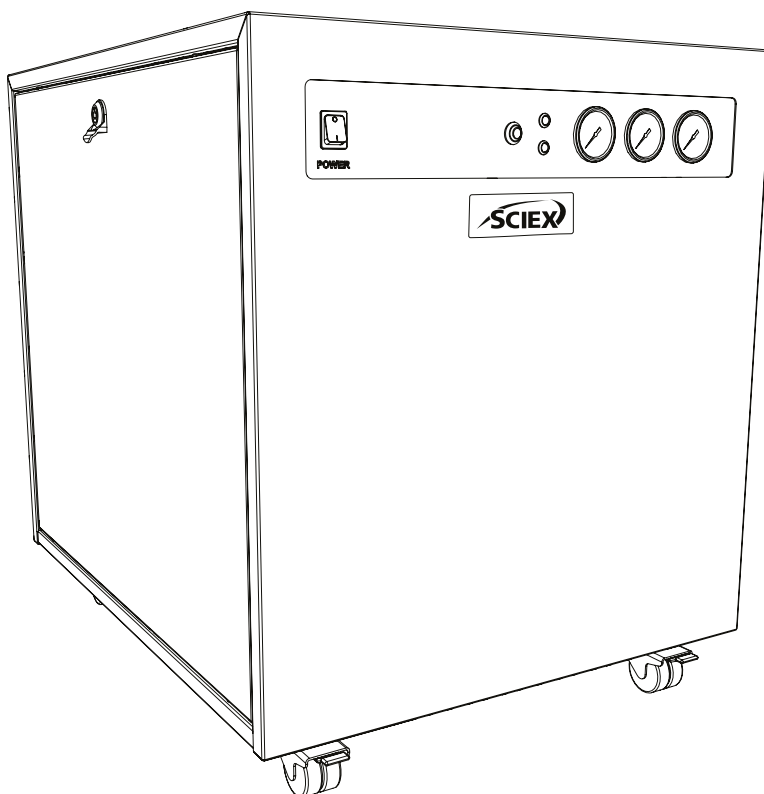
Switch the generator power **ON** using the switch on the front panel.

24.



The **pressure gauges** will again **gradually increase** to the factory set pressures.

25.



CONGRATULATIONS

Your **SCIEX** gas generator is now fully installed, operational and ready to supply gas on demand to your instrument.

General Notes

1. Electrical requirements are 230VAC nominal +/- 10% depending on chosen model. However, running continuously at voltages outside this is not recommended. Extended periods at extremes can have a detrimental effect on the operation and life of the Generator.
2. The PTFE tube supplied in the fittings kit is to allow the generator to be installed adjacent to the instrument it is supplying. If the generator is to be installed further away from the instrument then attention needs to be paid to pressure drops that could occur. The maximum distance away from the instrument the generator can be placed using 6mm (4mm internal diameter) or 1/4" (3/16" internal diameter) tubing is 10m. For further information relating to tubing lengths refer to the Operator Guide.

Familiarise yourself with the full **Operator Guide** available at: **sciex.com/customer-documents**. This includes all other technical specifications, operating instructions, service requirements, contact details and trouble shooting.

Contact us

To find software product documentation, refer to the release notes or software installation guide that comes with the software.

To find hardware product documentation, refer to the Customer Reference DVD that comes with the system or component.

The latest versions of the documentation are available on the SCIEX website, at **sciex.com/customer-documents**.

Note: To request a free, printed version of this document, contact **sciex.com/contact-us**.

For warranty information visit **sciex.com/warranty**.

SCIEX Support

SCIEX and its representatives maintain a staff of fully-trained service and technical specialists located throughout the world. They can answer questions about the system or any technical issues that might arise. For more information, visit the SCIEX website at sciex.com or contact us in one of the following ways:

- **sciex.com/contact-us**
- **sciex.com/request-support**

This document is provided to customers who have purchased SCIEX equipment to use in the operation of such SCIEX equipment. This document is copyright protected and any reproduction of this document or any part of this document is strictly prohibited, except as SCIEX may authorize in writing.

Software that may be described in this document is furnished under a license agreement. It is against the law to copy, modify, or distribute the software on any medium, except as specifically allowed in the license agreement. Furthermore, the license agreement may prohibit the software from being disassembled, reverse engineered, or decompiled for any purpose. Warranties are as stated therein.

Portions of this document may make reference to other manufacturers and/or their products, which may contain parts whose names are registered as trademarks and/or function as trademarks of their respective owners. Any such use is intended only to designate those manufacturers' products as supplied by SCIEX for incorporation into its equipment and does not imply any right and/or license to use or permit others to use such manufacturers' and/or their product names as trademarks.

SCIEX warranties are limited to those express warranties provided at the time of sale or license of its products and are the sole and exclusive representations, warranties, and obligations of SCIEX. SCIEX makes no other warranty of any kind whatsoever, expressed or implied, including without limitation, warranties of merchantability or fitness for a particular purpose, whether arising from a statute or otherwise in law or from a course of dealing or usage of trade, all of which are expressly disclaimed, and assumes no responsibility or contingent liability, including indirect or consequential damages, for any use by the purchaser or for any adverse circumstances arising therefrom.

(GEN-IDV-09-10816-D)

For Research Use Only. Not for use in Diagnostic Procedures.

Trademarks and/or registered trademarks mentioned herein, including associated logos, are the property of AB Sciex Pte. Ltd., or their respective owners, in the United States and/or certain other countries (see sciex.com/trademarks).

AB Sciex™ is being used under license.

© 2022 DH Tech. Dev. Pte. Ltd.



Made in the United Kingdom
Manufactured for
AB Sciex LLC
500 Old Connecticut Path
Framingham, Massachusetts 01701
USA

