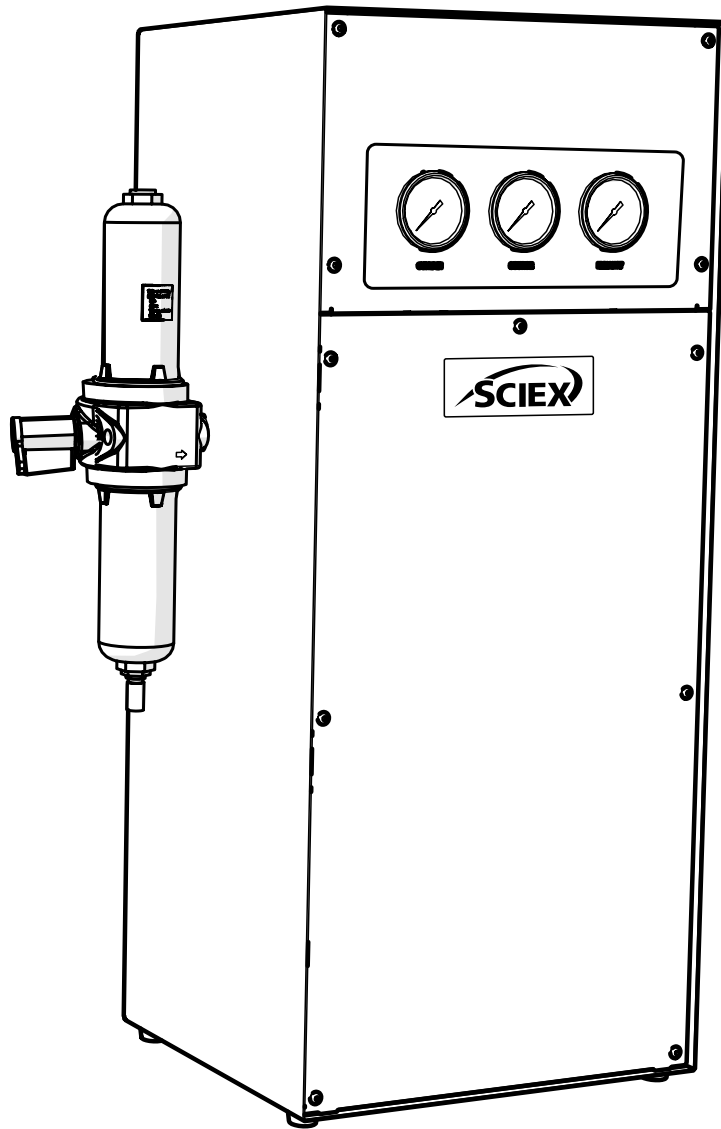


SCIEX Gas Generator N38

Installation Guide



Change History

Rev	Comment	Name	Date
A	Initial Release	L. Couttie	01/06/2022
B	Manufacturer Info Update	L. Couttie	06/12/2022

How to use this Installation Guide

This manual is intended for end users and has been written as a reference document where you can skip to the relevant information.

Users can refer to the contents page to find the relevant information.

Review each of the following sections carefully.





Thank you for selecting SCIEX to meet your gas generation needs, and should you require any further assistance or support do not hesitate to contact SCIEX.

Safety Notices

The warnings detailed within this manual refer to the most likely potential hazards, but by definition cannot be all inclusive. If the user employs an operating procedure, item of equipment or a method of working which is not specifically recommended by SCIEX, the user must ensure that the equipment will not be damaged or become hazardous to persons or property.

Symbols

This manual uses the following symbols to highlight specific areas important to the safe and proper use of the generator.

 WARNING	A WARNING notice denotes a hazard. It calls attention to an operating procedure, process or similar, which if not correctly performed or adhered to, could cause personal injury or in the worst case death. Do not proceed beyond a WARNING notice until the indicated conditions are fully understood or met.
 CAUTION	A CAUTION notice denotes a hazard. It calls attention to an operating procedure, process or similar, which if not correctly performed or adhered to, could cause damage to the generator or the application. Do not proceed beyond a CAUTION notice until the indicated conditions are fully understood or met.
	Caution, risk of electric shock. Ensure power to the generator has been removed before proceeding.
	Symbol denotes details of the products manufacturer.

Safety Notice to Users



These instructions must be read thoroughly and understood before installation and operation of your SCIEX Gas Generator. Use of the generator in a manner not specified by SCIEX MAY impair the SAFETY provided by the equipment.

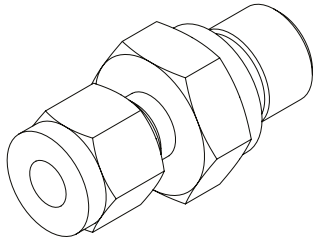


When handling, operating or carrying out any maintenance, personnel must employ safe engineering practices and observe all relevant local health and safety requirements and regulations. The attention of UK users is drawn to the Health and Safety at Work Act 1974, and the Institute of Electrical Engineers regulations.



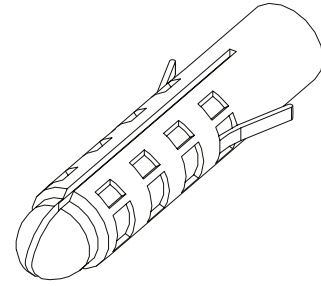
If the equipment is used in a manner not specified by the manufacturer, the protection provided by the equipment may be impaired.

Fittings Kit

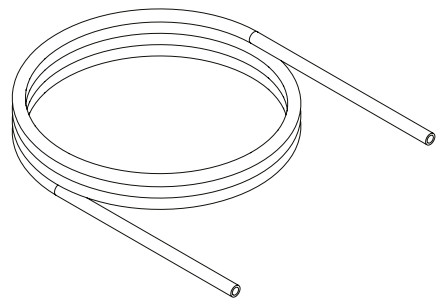


×3

1/4" x 1/4" Compression Fitting 02-4421

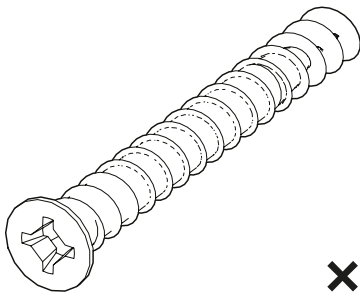


No. 8 Wall Plug 00-4076



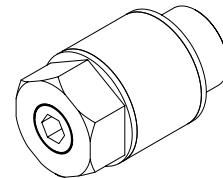
×12m

1/4" PTFE Tubing 00-1266



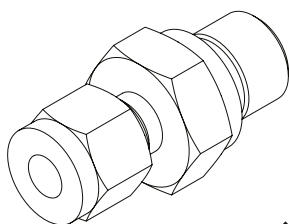
×4

No. 8 Screw 00-4075



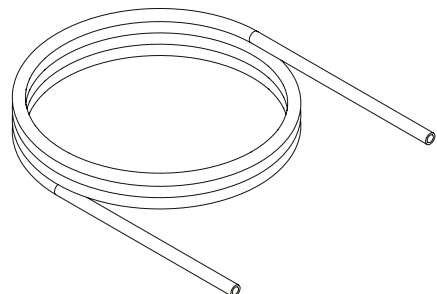
×3

Flow Control Silencer 02-1096



×1

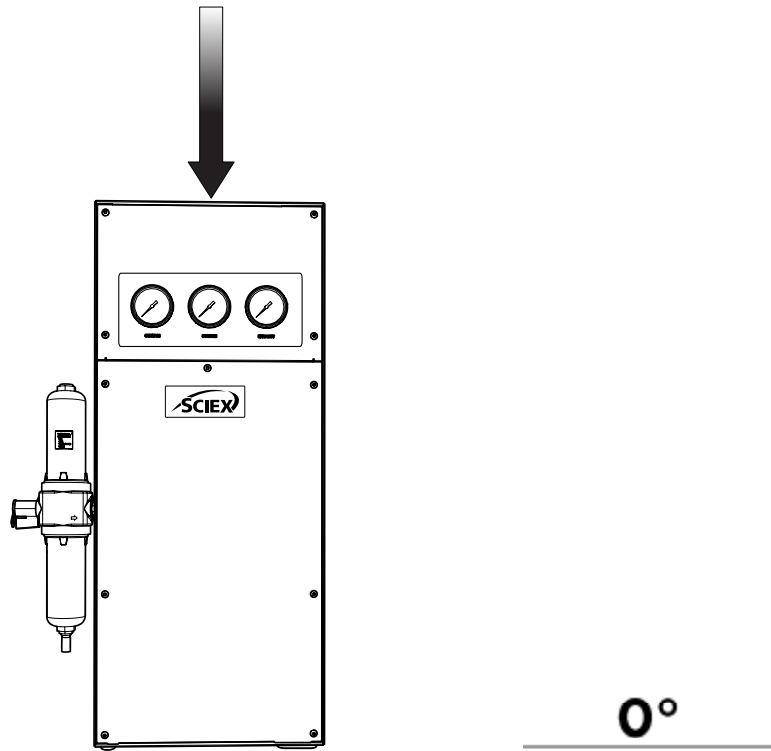
5/16" Compression Fitting
3303538



1×3m

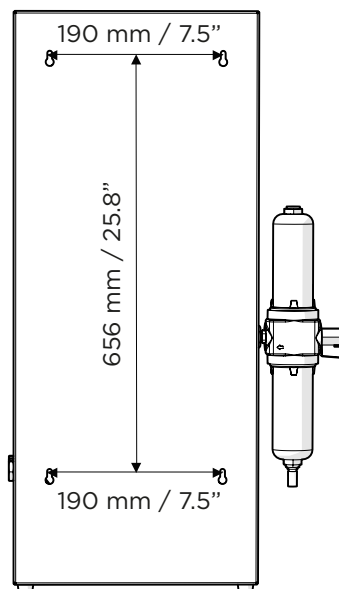
5/16" PTFE Tubing 3303537

1.



Unpack the generator from the shipping crate and position on a flat surface, in desired area.

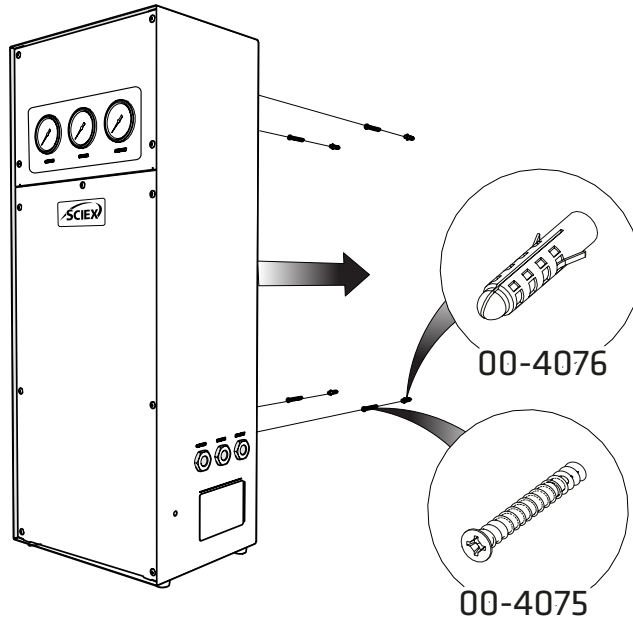
2.



The generator can be wall mounted, **If do not wish to wall mount your generator proceed to step 4.**

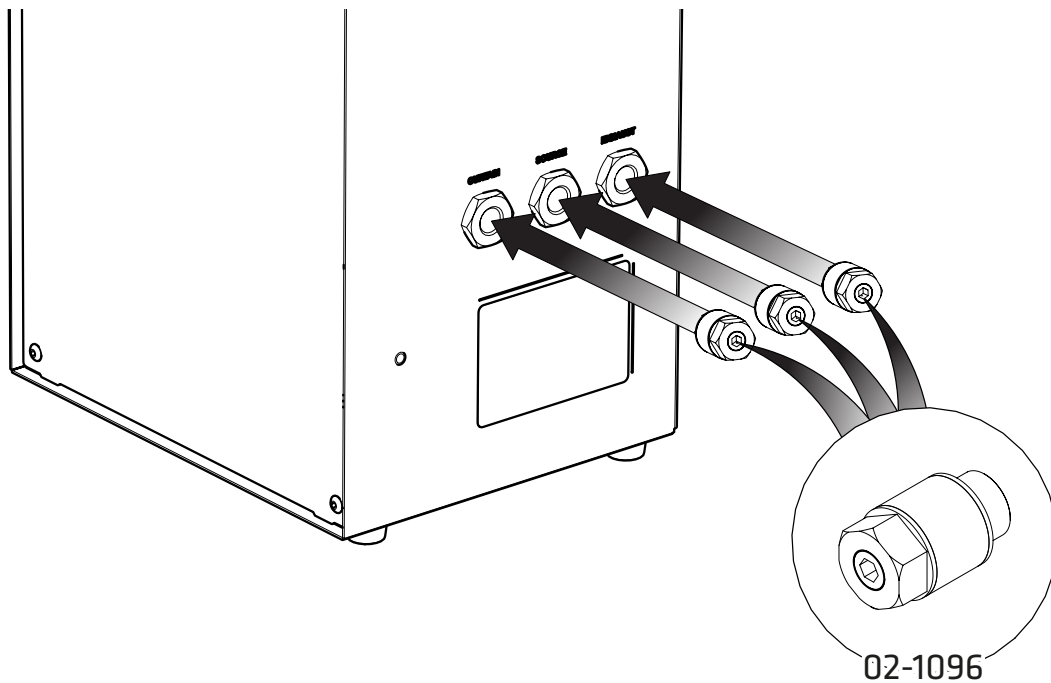
The measurements for the **mounting holes** are shown on the image above. Use these to drill holes to fit the wall plugs and screws provided.

3.



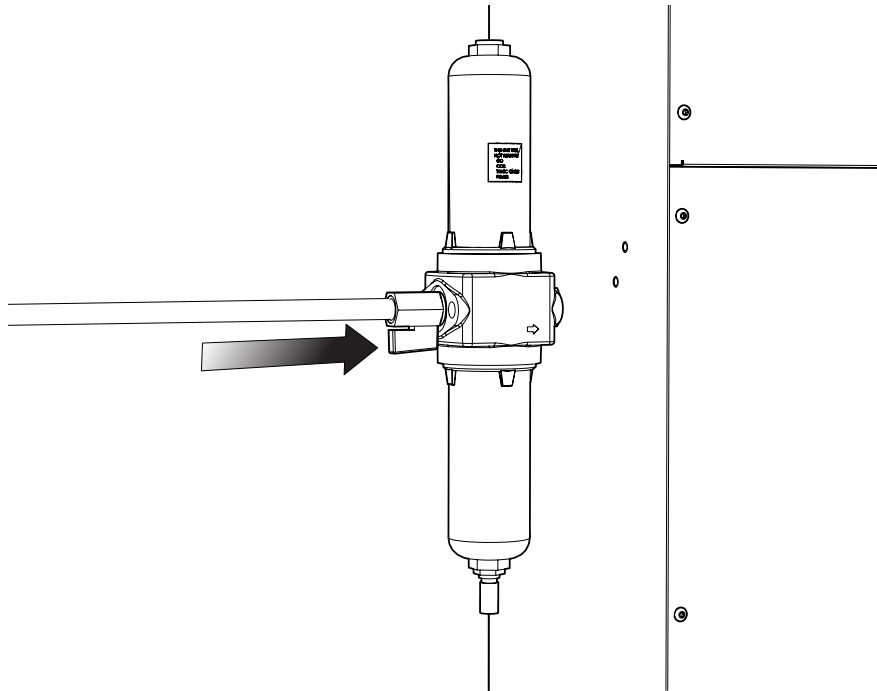
With the holes drilled in your desired location, fit the 4 x **No. 8 Wall Plug 00-4076** and 4 x **No. 8 Screw 00-4075** to the wall and mount your generator onto them.

4.



Select the 3 x **02-1096 Flow Control Silencer** and attach them to the **Curtain, Source & Exhaust** outlets at the right side of the generator.

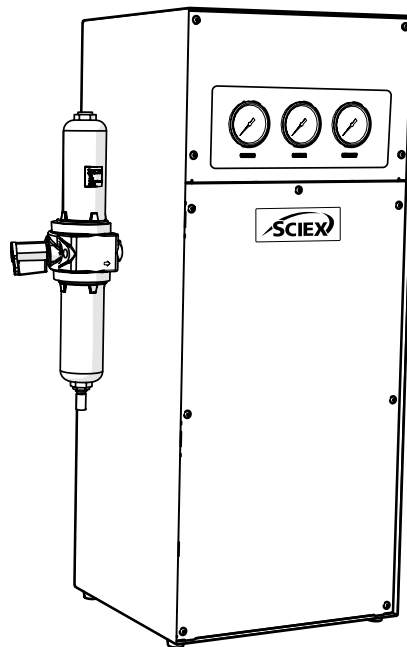
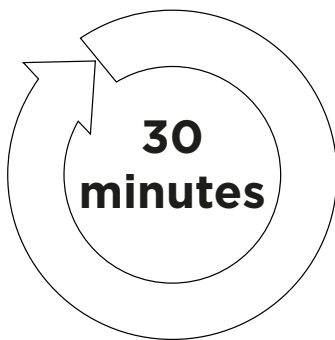
5.



Attach your house air supply to the **BA filter** at the **left side** of the generator. Ensure the valve on the filter is at the **open** position.

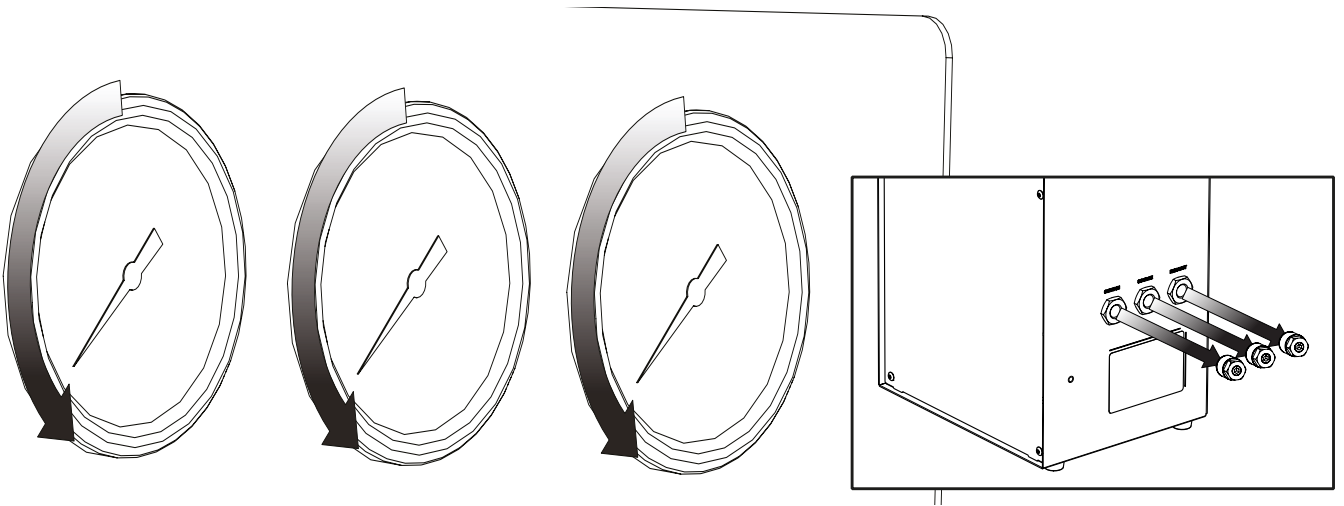
Note: A 1/4"BSPP male fitting is required at the end of the hose in order to connect the hose to the filter

6.



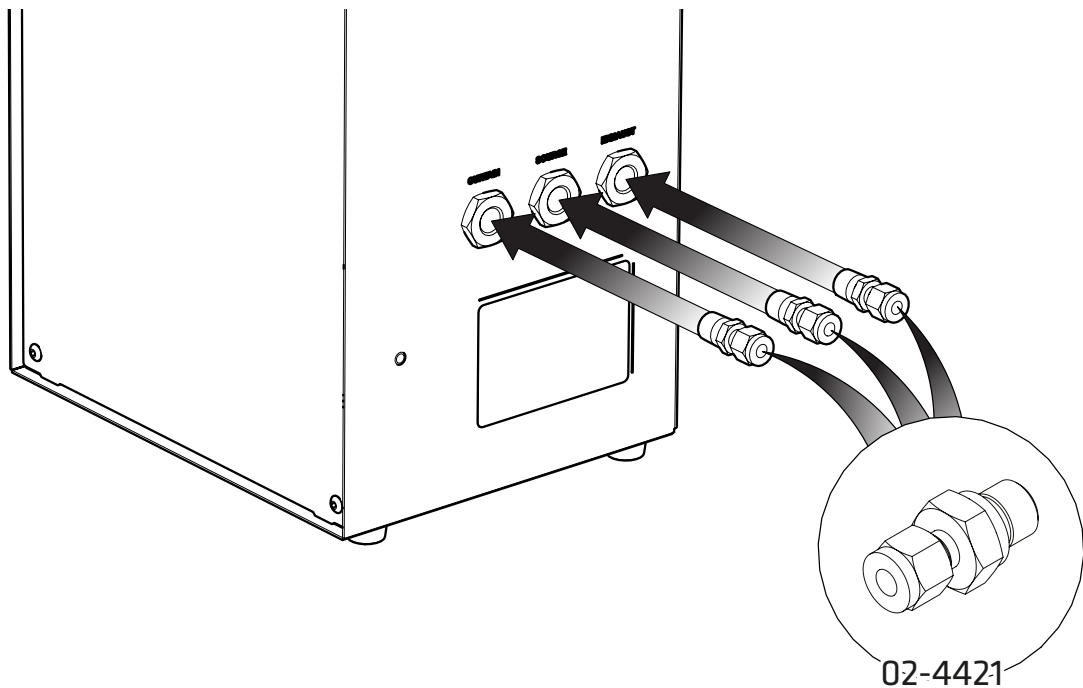
Leave the generator **connected to your air supply** for a period of **30 minutes** to purge the system.

7.



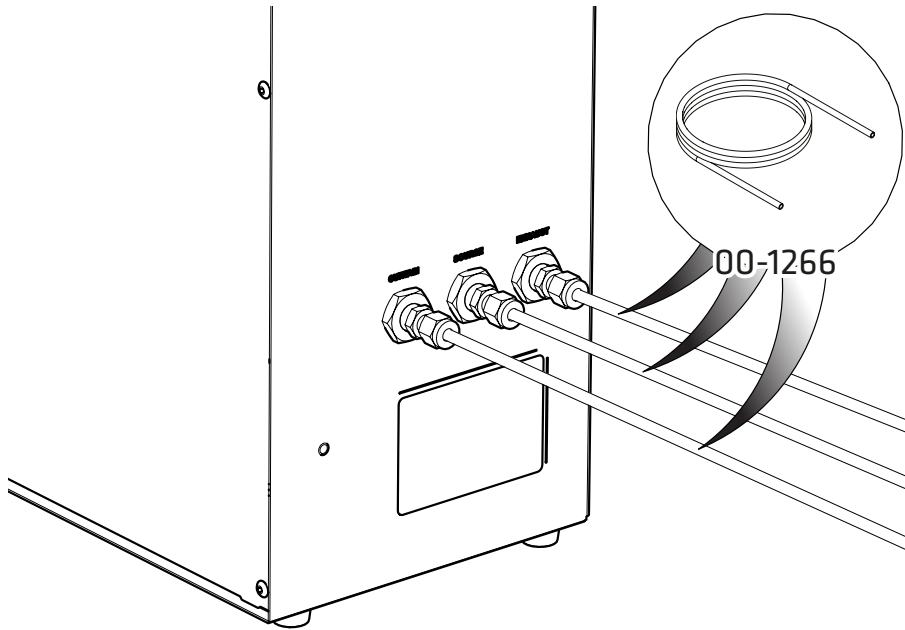
The purge is now complete. Disconnect the air supply then, once the pressure gauges on the front of the generator read 0, the **silencer fittings can be removed** from the Curtain, Source & Exhaust ports.

8.



Select the **3 × 1/4" Compression Fittings 02-4421** and attach them to the **Curtain, Source & Exhaust** outlets at the right side of the generator.

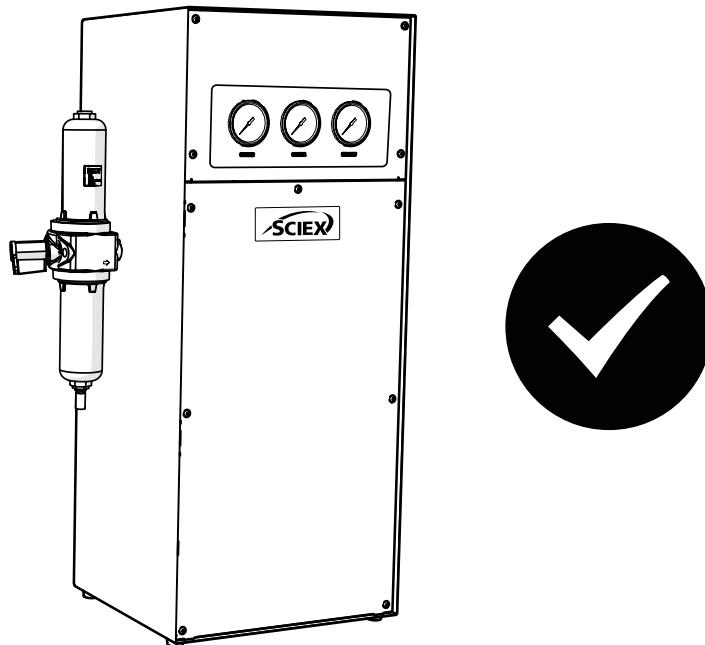
9.



Select the supplied **1/4" PTFE Tubing 00-1266** and connect this to the three **1/4" x 1/4" Compression Fittings 02-4421**.

Connect the other end of each section of tubing to your instruments gas inputs and re-connect the air supply.

10.



CONGRATULATIONS

Your **SCIEX** gas generator is now fully installed, operational and ready to supply gas on demand to your instrument.

General Notes

1. The PTFE tube supplied in the fittings kit is to allow the generator to be installed adjacent to the instrument it is supplying. If the generator is to be installed further away from the instrument then attention needs to be paid to pressure drops that could occur. The maximum distance away from the instrument the generator can be placed using 6mm (4mm internal diameter) or 1/4" (3/16" internal diameter) tubing is 10m. For further information relating to tubing lengths refer to the **Operator Guide**.

Wall Mounting

Generator	Distance between top mounts	Distance from top to bottom mount
N38	190 mm / 7.5 Inches	656 mm / 25.8 Inches

Familiarise yourself with the full **Operator Guide** available at: [sciex.com/customer-documents](https://www.sciex.com/customer-documents). This includes all other technical specifications, operating instructions, service requirements, contact details and trouble shooting.

Contact us

To find software product documentation, refer to the release notes or software installation guide that comes with the software.

To find hardware product documentation, refer to the Customer Reference DVD that comes with the system or component.

The latest versions of the documentation are available on the SCIEX website, at **sciex.com/customer-documents**.

Note: To request a free, printed version of this document, contact **sciex.com/contact-us**.

For warranty information visit **sciex.com/warranty**.

SCIEX Support

SCIEX and its representatives maintain a staff of fully-trained service and technical specialists located throughout the world. They can answer questions about the system or any technical issues that might arise. For more information, visit the SCIEX website at sciex.com or contact us in one of the following ways:

- **sciex.com/contact-us**
- **sciex.com/request-support**

This document is provided to customers who have purchased SCIEX equipment to use in the operation of such SCIEX equipment. This document is copyright protected and any reproduction of this document or any part of this document is strictly prohibited, except as SCIEX may authorize in writing.

Software that may be described in this document is furnished under a license agreement. It is against the law to copy, modify, or distribute the software on any medium, except as specifically allowed in the license agreement. Furthermore, the license agreement may prohibit the software from being disassembled, reverse engineered, or decompiled for any purpose. Warranties are as stated therein.

Portions of this document may make reference to other manufacturers and/or their products, which may contain parts whose names are registered as trademarks and/or function as trademarks of their respective owners. Any such use is intended only to designate those manufacturers' products as supplied by SCIEX for incorporation into its equipment and does not imply any right and/or license to use or permit others to use such manufacturers' and/or their product names as trademarks.

SCIEX warranties are limited to those express warranties provided at the time of sale or license of its products and are the sole and exclusive representations, warranties, and obligations of SCIEX. SCIEX makes no other warranty of any kind whatsoever, expressed or implied, including without limitation, warranties of merchantability or fitness for a particular purpose, whether arising from a statute or otherwise in law or from a course of dealing or usage of trade, all of which are expressly disclaimed, and assumes no responsibility or contingent liability, including indirect or consequential damages, for any use by the purchaser or for any adverse circumstances arising therefrom.

(GEN-IDV-09-10816-D)

For Research Use Only. Not for use in Diagnostic Procedures.

Trademarks and/or registered trademarks mentioned herein, including associated logos, are the property of AB Sciex Pte. Ltd., or their respective owners, in the United States and/or certain other countries (see sciex.com/trademarks).

AB Sciex™ is being used under license.

© 2022 DH Tech. Dev. Pte. Ltd.



Made in the United Kingdom
Manufactured for
AB Sciex LLC
500 Old Connecticut Path
Framingham, Massachusetts 01701
USA

